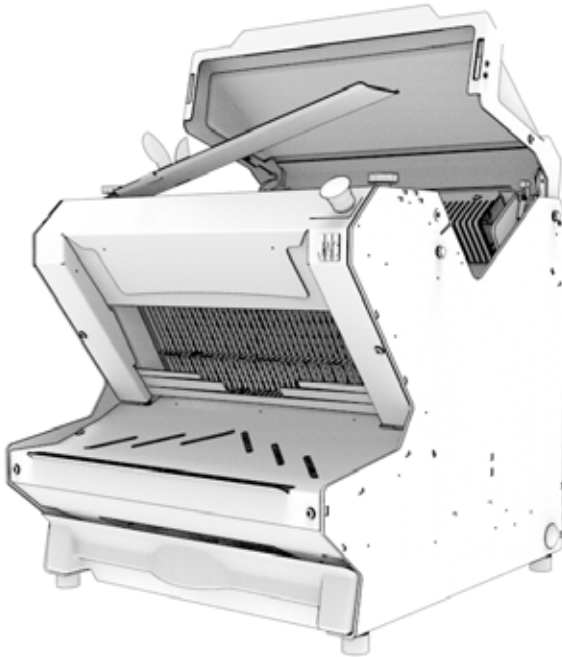




Traditionally Innovative

PICOMATIC



EN – FR – DE – NL – RU – ES – IT – AR

V01-05-2017

PICOMATIC

EN- Translation of original user instructions	
PICOMATIC automatic tabletop slicer	5
FR- Notice d'utilisation originale	
Trancheuse automatique de table PICOMATIC	19
DE- Übersetzung der Originalanleitung	
Automatische Tischschneidemaschine PICOMATIC	33
NL- Vertaling van de originele gebruikershandleiding	
Automatische tafelsnijmachine PICOMATIC	47
RU- Перевод оригинального руководства по эксплуатации	
Автоматическая настольная хлеборезка PICOMATIC	61
ES- Traducción del manual de uso original	
Cortadora de mesa automática PICOMATIC	75
IT- Traduzione delle informazioni sull'utilizzo originali	
Taglierina automatica da tavolo PICOMATIC	89
رئسي - ترجمة دليل الاستخدام الأصلي	
قطاعة عجين أوتوماتيكية بطاولة PICOMATIC	103

1	BEFORE COMMISSIONING	6
2	WARRANTY	6
3	WARNINGS	7
4	TECHNICAL SPECIFICATIONS	8
4.1	<i>Technical specifications</i>	8
4.2	<i>Details of materials in direct contact with the bread</i>	8
5	INSTALLATION AND COMMISSIONING	9
5.1	<i>Unpacking the machine:</i>	9
5.2	<i>Positioning:</i>	9
5.3	<i>Electrical connection:</i>	9
5.4	<i>Commissioning:</i>	10
5.5	<i>Danger:</i>	10
6	CONTROLS AND SAFETY FEATURES	11
6.1	<i>Controls:</i>	11
6.2	<i>Work area:</i>	11
6.3	<i>Safety features:</i>	11
7	OPERATION	12
8	MAINTENANCE	13
8.1	<i>Daily, by a trained operator</i>	13
8.2	<i>Every 25,000 loaves and/or at least once a year, by an approved agent</i>	13
8.3	<i>Blade replacement</i>	13
9	CONSUMABLES	14
9.1	<i>List of CONSUMABLES</i>	14
10	MALFUNCTIONS	15
11	ERROR CODES	16
11.1	<i>Machines equipped with a digital display (MRK – MRK ETL – MRF – MRL – MRL ETL – MRM – MRC)</i> 16	
12	LIST OF COMPONENTS IN ILLUSTRATIONS	17

1 BEFORE COMMISSIONING

Thank you for choosing a JAC system. It is essential that you read these instructions before installing and commissioning this machine. This will protect you and avoid damaging your machine.

These instructions refer to various illustrations in order to make them easier to understand. These illustrations are at the end of the instructions. Please refer to them whenever you see the following symbols: (fig.X, n°Y).

To ensure that your machine gives you full satisfaction over the coming years, we invite you to familiarise yourself with the following advice:

- Enlist the help of your approved agent for installation, commissioning and service support.
- In order to be covered by the 5-year warranty (see terms and conditions set out below), please have your dealer fill in the service booklet when your machine is being installed. The service booklet is at the back of your machine.

2 WARRANTY



All JAC products are covered by a 5-year warranty.

This warranty is valid for all parts on your machine, including electronic components but excluding consumables. The warranty takes effect on the date the equipment is installed.

Subject to the following restrictive conditions:

- Equipment acquired from an approved dealer;
- Installation carried out by an approved agent;
- Equipment used in accordance with the instructions for use and for the intended purpose for which it was manufactured;
- Equipment serviced on a daily basis in compliance with the instructions for use;
- Regular servicing by the approved agent in compliance with service specifications, with at least one service a year (servicing chargeable to the user).
- Exclusive use of genuine JAC parts.



If there is no record of servicing by an approved agent and/or if the service booklet has not been filled in correctly, warranty cover will be limited to one year.

This warranty does not cover:

- Replacement of consumables (§9);
- Parts not accepted as defective by our company;
- Problems due to improper use of the equipment;
- Problems due to installation not carried out by an approved agent;
- Parts or problems due to transit damage or improper handling.

Repairing and/or replacing defective parts during the warranty period does not bring about an extension of said warranty.

3 WARNINGS

It is most important that these user instructions be kept with the machine for any future reference. Should this machine be sold or transferred to another user, please ensure that the user instructions are handed over so that the new user can be familiarised with its operation and the warnings associated with it.



These warnings are given for your safety and that of others. We would therefore ask you to read them carefully before installing and using the machine.

This machine has been designed for use by authorised adults. Please therefore ensure that children do not touch it or use it as a toy.

This machine is intended exclusively for professional use.

It is dangerous to modify or attempt to modify the specifications of this machine.

After having installed this machine, please ensure that it is not standing on the power cable.

Follow the instructions given for its use.

This machine must be stored and used in an indoor room, protected from moisture and heat.

This machine must be adequately illuminated to operate it.

The noise level of this machine does not exceed 70 dB(A) in accordance with EN ISO 3744.

This machine must be used by one person at a time (unless otherwise specified).

This machine is intended for slicing baked bread which has cooled down.



This machine is not intended for the following breads and the following materials:

- Warm bread, stale bread.
- Frozen or partially thawed bread.
- Wholemeal breads with a hard crust and other types of bread with a hard crust.
- Rye breads.
- Non-edible products such as wood, plastic and similar materials.
- Any food that is not included in the bread and loaf cake category.

The machine may be damaged when cutting bread or materials for which the machine is not intended.



Always disconnect the mains supply before cleaning the machine inside/outside and when carrying out maintenance.

This machine is heavy. Take all necessary safety precautions when handling it.

4 TECHNICAL SPECIFICATIONS

4.1 Technical specifications

	PICOMATIC 450	PICOMATIC 450 M
Height (mm)	722	722
Height with cover (mm)	880	880
Height with base (mm)	1346	1346
Height with base and cover (mm)	1500	1500
Width (mm)	607	607
Depth (mm)	682	682
Entry channel length (mm)	300	290
Entry channel width (mm)	440	440
Entry channel height (mm)	180	180
Packaging (mm)	800 x 860 x 800	800 x 860 x 800
Net weight (kg)	105	115
Net weight + packing (kg)	125	135
Motor power rating (kW)	0.49	1.5
Motor type	Single-phase or three-phase	Three-phase
220 V - 50 Hz (A)	5	
380 V - 50 Hz (A)	3.2	3.2
Capacity (loaves/hour)	200<500	200<500
Noise level (dB)	<75	<75

Heavy duty motor	optional
Digital display	optional
Wheeled base	optional
Front safety cover	optional
Double slice thickness	optional
Special colour	optional
Special blades	optional
Photoelectric cells	Optional
JACFIX	optional

4.2 Details of materials in direct contact with the bread.

Infeed table: STAINLESS STEEL 430

Loaf pusher: STAINLESS STEEL 430

Loaf holder: STAINLESS STEEL 430

Blades: Steel

Outfeed table: STAINLESS STEEL 430

Bagger: STAINLESS STEEL 430

5 INSTALLATION AND COMMISSIONING

5.1 Unpacking the machine:

Machines are delivered from our works on pallets, strapped and protected with cardboard. First of all, the packaging must be examined and any damage caused in transit must be declared directly to the carrier.

- A. Remove the cardboard and the packaging bag from the machine.
- B. Remove straps, taking particular care when they are released by cutting.
- C. Detach the machine from its pallet by removing the wooden battens wedging the castors.
- D. Take the machine off the pallet. Make sure you do this with at least two people in order to lower it as gently as possible onto the floor.
- E. Please fit the adjustable bagger stop to the bagger (fig.10, n°33).

After unpacking your machine, check that it has not been damaged in transit. Notify us of any defects.

If your machine has been supplied with a base (optional):

- A. Fit the castors supplied to the base, taking care to fit the braked castors at the front.
- B. With at least two people, place the machine on the base.
- C. Remove the crumb tray from the machine.
- D. Insert the silent block bushes supplied between the machine and the base (fig.4, n°21).
- E. From the inside of the machine, insert the screws (fig.4, n°20) and washers supplied into the corresponding holes in the machine frame.
- F. Pass the screws through the machine, the silent block bushings and the base and tighten the assembly with the nuts supplied (fig.4, n°22).

5.2 Positioning:

In order to achieve excellent performance and long-term reliability, choose a location that is:

Well ventilated, shielded from direct sunlight and away from sources of heat, with a sturdy surface free from vibration.

5.3 Electrical connection:

IMPORTANT: This machine must be earthed.

It is recommended that the system be protected with a fuse and an RCD.

Your mains electricity supply to the machine must be protected as indicated below:

- North America: 15 A protection;
- Rest of the world: 16 A protection.

For machines equipped with a variable speed drive, it is imperative that they be connected to a junction box on a circuit fitted with a 300 mA RCD.

Note: Any problem resulting from any other type of connection will not be covered under warranty.

Before connecting your machine to the mains supply and in order to prevent the motor from burning out when it is switched on, it is important to check that the mains supply matches the machine specification (see machine nameplate).

This machine complies with Machinery Directives 2006/42, 2014/35, 2014/30 and is CE-marked as proof of this compliance.

Please familiarise yourself with the safety pictograms displayed on the machine:



This pictogram indicates a cut hazard. You will find it at the front of the machine around the loaf positioning area (fig.9, n°29).

You will find the circuit diagram for the machine on the back of the electrical enclosure door (fig.9, n°30).



This pictogram indicates an electrocution hazard. Please isolate the machine before carrying out any work on it. You will find it at the back of the machine close to the power cable and inside the machine on the electrical enclosure (fig.9, n°31).



This pictogram indicates a contact with moving parts hazard. You will find it near the crumb tray (fig.9, n°28).

5.4 **Commissioning:**

Before commissioning, ensure that there are no extraneous objects interfering with the machine's moving parts.

For machine operation, please refer to the "Operation" chapter.

5.5 **Danger:**

If the user or the machine is in danger, you must use the main isolator switch to cut the power supply to the machine.

Remove the plug from the power socket before any maintenance and/or servicing work. Do not touch the blade, even if it is stationary.

To replace the blade, have the work done by your approved dealer.

Always wear cut-resistant gloves when replacing the blade or when working in the vicinity of the blade.

Any maintenance work or replacement of parts must be carried out by a qualified individual.

6 CONTROLS AND SAFETY FEATURES

6.1 Controls:

Your slicer is fitted as standard with an emergency stop button (fig.1, n°5).

Some machines are equipped with a digital display (fig.6) (MRK – MRK ETL – MRF – MRL – MRL ETL – MRM – MRC) which can be used to:

- Switch on the screen on the machine (fig.6, n°24).
- Switch off the screen on the machine (fig.6, n°26).
- Reset the cut counter on machines with this feature, by pressing the two buttons located under the ISC logo simultaneously for 5 seconds (fig.6, n°25).
- Reset the oil counter (MRF – MRM) (fig.6, n°27).
- Programme the various settings on the machine (to be done by an approved agent only) (fig.6, n°25).

This display will show you:

- The number of loaves cut.
- Whether your blades need to be replaced.
- If a safety cut-out has tripped.

6.2 Work area:

The work area is at the front of the machine (fig.3, n°19).

6.3 Safety features:

A safety switch (fig.1, n°10) that prevents the machine from operating if the rear cover (fig.1, n°10) (MRZ – MRP – MRK – MRK ETL – MRF – MRP – MRQ – MRR – MRC – MRC ETL) is open.

This machine is equipped with:

A safety switch (fig.1, n°10) that prevents the machine from operating if the rear cover (fig.1, n°10) (MRZ – MRP – MRK – MRK ETL – MRF – MRP – MRQ – MRR) is open.

A safety switch (fig.2, n°18) that prevents the machine from operating if the front cover (fig.2, n°17) (optional) (MRC – MRC ETL - MRR) is open.

A photoelectric cell (fig.2, n°15) that prevents the machine from operating when the beam is broken (optional) (MRL – MRL ETL – MRM).

7 OPERATION

If your machine is equipped with a base (fig.1, n°8) (optional), the braked castors must be locked when the machine is in operation (fig.1, n°9).

Switch on the power to the machine at the start of the day using the emergency stop (fig.1, n°5).

For machines equipped with a digital display (fig.6) (MRK – MRK ETL – MRF – MRL – MRL ETL – MRM – MRC), press the green power on button (fig.6, n°24).

Operating procedure (fig.5)

- A. Place the loaf on the rear table, between the blades and the moving section.
- B. Close the rear cover (MRZ – MRP – MRK – MRK ETL – MRF – MRP – MRQ – MRR – MRC – MRC ETL); this action will start the machine. If the machine is equipped with photoelectric cells (optional) (MRL – MRL ETL – MRM), press the green button (fig.6, n°24) in order to start the cutting process.
- C. Once the cutting process has finished, retrieve the sliced loaf from the front of the machine. The rear cover will open (MRZ – MRP – MRK – MRK ETL – MRF – MRP – MRQ – MRR). If your machine is fitted with a front cover, open it before retrieving the loaf (optional) (MRC – MRC ETL – MRR). If your machine is equipped with a JACFIX (optional), this system holds the loaf together once cut. Remove the loaf upwards to release it from the JACFIX.

At the end of the day, for machines equipped with a digital display (MRK – MRK ETL – MRF – MRL – MRL ETL – MRM – MRC – MRC ETL), press the yellow safety power off button (fig.6, n°26). Press the red **emergency stop** button (fig.1, n°5) to switch off the power to the machine.

Tip: Have a qualified individual check blade tension after the first few days of operation.

Capacity: Number of loaves sliced per day: 6,000 (depending on the type of bread).

Loaf size (L x W x H) (cm):

MRZ – MRP – MRK – MRK ETL – MRQ – MRL – MRL ETL – MRR – MRC – MRC ETL

min.: 12 x 6 x 6 - max.: 44 x 30 x 18

MRM – MRF – MRR – MRQ

min.: 12 x 6 x 6 - max.: 44 x 29 x 18

Safety:

Opening the rear safety cover (fig.1, n°1) prevents the machine from operating (MRZ – MRP – MRK – MRK ETL – MRF – MRZ – MRP – MRQ – MRR – MRC – MRC ETL).

Opening the front safety cover (fig.2, n°17) prevents the machine from operating (MRC – MRC ETL – MRR).

Passing in front of the photoelectric cells (fig.2, n°15) prevents the machine from operating (MRL – MRL ETL – MRM).

The activation of a safety cut-out is indicated by a message on the display (fig.6, n°23) (MRK – MRK ETL – MRF – MRL – MRL ETL – MRM – MRC).



8 MAINTENANCE

8.1 Daily, by a trained operator.

- A. Check whether you need to empty the crumb tray.
- B. Clean the tables using a brush.
- C. Use a dry cloth to clean the inside.
- D. Use a damp cloth to clean the outside.

8.2 Every 25,000 loaves and/or at least once a year, by an approved agent.

Remove the plug from the socket.

Check the condition of the cutting blades.

If you notice a deterioration in cutting quality, the cutting blades must be replaced (JAC part number: 610011, 6110001 in the JAC Spare Parts catalogue).

If the blades need to be replaced, do so in accordance with the blade replacement procedure.

NB: Do not overtighten the blades, as this risks distorting the frames.

Sweep and vacuum the inside of the machine.

Check bearing condition, then lubricate them.

Lubricate the actuator joints.

Check that your approved agent has recorded his work in your service booklet in order to maintain your 5-year warranty cover.

Additional maintenance for models with lubrication

The oil to be used is: 7940019 (as quoted in the JAC “spare parts” catalogue).

Or a food-grade liquid vegetable oil with a natural antioxidant.

Every 1,000 loaves or every 15 days, by a trained operator:

Add the dose of food-grade oil (100 to 150 ml) required to impregnate the felt pads on the carriage (operate the carriage advance button to enable access to the oil filler plug).

Every 25,000 loaves and/or at least once a year, by an approved agent:

Remove the plug from the socket.

Replace the pusher felt pads.

8.3 Blade replacement. (front A B C D E F)

(Fig.8)

Always wear cut-resistant gloves (EN 388:2003 version B= 5) and safety footwear when replacing the blade or when working in the vicinity of the blade.

Ensure that the plug on your machine has been disconnected from the mains.

For machines fitted with front and rear covers (MRC – MRC ETL) remove the front cover by means of the 4 screws holding it on (fig.7).

- A. Remove the rear panel from the machine by means of the 4 screws.
- B. Remove the two screws for the rear table and slide it towards the rear of the machine in order to release the front table.
- C. Unscrew the bagger by means of the left-hand thumbscrew; unscrew the right-hand thumbscrew and remove the two screws from the cover.

- D. Open the cover. Remove the 4 screws from the front table and withdraw it.
- E. On the left-hand inner side, remove screw **A** securing the front frame link.
- F. Lay the frame down forwards. Replace the blades on the rear frame (place something to protect yourself on the front frame blades). Remove the locknuts on screws **B** (MRF – MRM – MRQ). Remove the blade-tightening Allen screws **B**. Replace the blades, checking that they locate correctly in the swing arm pins. Retighten the blades by tightening screws **B**, using the blades remaining on the frame as a reference. Then tighten the nuts (machine fitted with lubrication option).

In order not to distort the frame and avoid the risk of dangerous breakages, only replace 1 to 3 blades at a time alternating from left to right.

Resume the procedure from point E for the front frame and refit the front frame and the cover sections.

Connect your machine to the mains supply; it is now ready.

Check that your approved agent has recorded his work in your service booklet in order to maintain your 5-year warranty cover.

9 CONSUMABLES

When ordering spare parts, check with your approved agent which part is required based on the spare parts catalogue issued by the manufacturer.

Always quote the machine serial number shown on the nameplate.

Your agent will place the orders with JAC.

9.1 List of CONSUMABLES

ITEM CODE	DESCRIPTION	MODEL
7240031	A 31 BELT	ALL
5690010	SLIDE PAD, 100 MM	ALL
5740162	FRAME LINK	ALL
6110001	JAC KNIFE, 13 MM/0.5 MM	PICOMATIC 450
6110011	JAC KNIFE, 13 MM/0.5 MM + TEFLON	PICOMATIC 450M
5310026	LOAF HOLDER SPRING PLASTIC RING	PICOMATIC 450
5310030	LOAF HOLDER SPRING STAINLESS STEEL RING	PICOMATIC 450M
5690151	LOAF HOLDER PAD	ALL
6530002	PHOTOELECTRIC CELL REFLECTIVE STRIP	ALL
5690102	JAC FLAP	ALL
6120002	PUSHER FELT PAD	PICOMATIC 450M
BMJL001 BMJL002	JACFIX SPRING	ALL

10 MALFUNCTIONS

Problem	Check
The machine is not running	Connect the machine using the cable (fig.1, n°14).
	Unlock the emergency stop (fig.1, n°5).
	Close the cover.
	Close the door.
The machine is running, but the loaves are damaged or cut unevenly	Check whether the blades need replacing (fig.7,8).
	Leave the bread to cool down for a few hours.
	Feed in a loaf of the specified size.
	Feed in a loaf that is sufficiently firm. If the blades are misaligned, adjust the blades and frames.
The bread vibrates between the blades	If the blades are misaligned, adjust the blades and frames.
The bread is cut too slowly	Check whether the blades need replacing (fig.7,8).
	Check that the loaf holder springs are in place correctly (fig.10, n°32).
The bread tears	If the blades are misaligned, adjust the blades and frames.
	Check that the loaf holder springs are in place correctly (fig.10, n°32).
The bread emerges very slowly or remains between the blades	Check that the loaf holder springs are in place correctly (fig.10, n°32).
The bread is squashed coming out of the blades	Remove a loaf holder spring and repeat your test (fig.10, n°32).

WARNING: The machine must be isolated from the power supply before attempting any work on it.



Should the problem persist, please contact your technician.

11 ERROR CODES

11.1 Machines equipped with a digital display (MRK – MRK ETL – MRF – MRL – MRL ETL – MRM – MRC)

Message displayed on screen	Problem description	Action
STOP! CHECK PHOTOELECTRIC CELL	Photoelectric cell (S5) beams broken	Please restart the machine using the emergency stop (fig.1, n°5). Should the problem persist, please contact your technician.
DRAWER STOP OPEN CLOSE DRAWER	Crumb tray (S7) open	
MOTOR OVERHEATING STOP WAIT!!!	Blade motor thermal cut-out (F3) tripped	
PRESS START TO REPOSITION THE MACHINE	Loaf pusher not in initial position (S1)	
COVER OPEN CLOSE COVER	Safety cover open (S6)	
FILL CUTTING OIL TANK	Oil top-up required in loaf pusher	
0 CUTS REMAINING BEFORE BLADE REPLACEMENT	Blade replacement required.	



Should the problem persist, please contact your technician.

12 LIST OF COMPONENTS IN ILLUSTRATIONS

Figure	Item	Description
	1	Rear cover
1	2	Bagger
	3	Loaf pusher
	4	Cover
	5	Emergency stop button
	6	Loaf holder
	7	Front table
	8	Wheeled base (optional)
	9	Braked castors
	10	Rear cover safety switch
	11	Thumbscrew
	12	Rear table
	13	Rear panel
	14	Power cable
	2	15
16		Digital display (MRK – MRK ETL – MRF – MRL – MRL ETL – MRM – MRC)
17		Front cover (optional)
18		Front cover safety switch
3	19	Work area
4	20	Wheeled base assembly screw
	21	Wheeled base silent block bushing
	22	Wheeled base retaining nut
6	23	Digital screen
	24	Display power on (MRK – MRK ETL – MRF – MRL – MRL ETL – MRM – MRC)
	25	Programming key (MRK – MRK ETL – MRF – MRL – MRL ETL – MRM – MRC) (for use by a technician only)
	26	Display power off (MRK – MRK ETL – MRF – MRL – MRL ETL – MRM – MRC)
	27	Oil top-up reset (MRM – MRF)
9	28	"Moving parts hazard" sign
	29	"Cut hazard" sign
	30	Circuit diagram
	31	"Electrocution hazard" sign
10	32	Detachable loaf holder spring
	33	Bagger adjustable stop



1	AVANT LA MISE EN SERVICE	20
2	GARANTIE	20
3	AVERTISSEMENTS	21
4	CARACTERISTIQUES TECHNIQUES	22
4.1	<i>Caractéristiques techniques</i>	<i>22</i>
4.2	<i>Détail des matériaux en contact direct avec le pain</i>	<i>22</i>
5	INSTALLATION ET MISE EN SERVICE	23
5.1	<i>Déconditionnement de la machine</i>	<i>23</i>
5.2	<i>Emplacement</i>	<i>23</i>
5.3	<i>Raccordement électrique</i>	<i>24</i>
5.4	<i>Mise en service</i>	<i>24</i>
5.5	<i>Danger</i>	<i>25</i>
6	ORGANE DE COMMANDE ET DE SECURITE	25
6.1	<i>Organe de commande</i>	<i>25</i>
6.2	<i>Zone de travail</i>	<i>25</i>
6.3	<i>Organes de sécurité</i>	<i>25</i>
7	UTILISATION	26
8	ENTRETIEN	27
8.1	<i>Journalier par un utilisateur formé</i>	<i>27</i>
8.2	<i>Toutes les 25 000 coupes et/ou 1 fois par an au minimum, par un agent agréé</i>	<i>27</i>
8.3	<i>Changement des lames</i>	<i>27</i>
9	CONSOMMABLES	28
9.1	<i>Liste des CONSOMMABLES</i>	<i>28</i>
10	INCIDENTS DE FONCTIONNEMENT	29
11	CODES D'ERREUR	30
11.1	<i>Machines équipées d'un écran (MRK – MRK ETL – MRF – MRL – MRL ETL – MRM – MRC)</i>	<i>30</i>
12	LISTE DES COMPOSANTS SUR LES FIGURES	31

1 AVANT LA MISE EN SERVICE

Merci d'avoir choisi une solution JAC. Veuillez impérativement lire ce mode d'emploi avant d'installer et de mettre en service cette machine. Vous pourrez ainsi vous protéger et éviter de détériorer votre machine.

Cette notice fait référence à différentes figures afin de faciliter la compréhension des instructions. Ces figures se trouvent en fin de notice. Veuillez vous y référer dès que vous rencontrez les symboles suivants (fig.x, n°y).

Pour que votre machine vous donne entière satisfaction au cours des prochaines années, nous vous invitons à prendre connaissance des conseils suivants :

- Faites-vous aider par votre agent agréé pour l'installation, la mise en service et le suivi.
- Afin de pouvoir bénéficier de la garantie de 5 ans (voir conditions reprises ci-après), faites compléter le carnet d'entretien par votre distributeur lors de l'installation de votre machine. Ce carnet d'entretien se trouve à l'arrière de votre machine.

2 GARANTIE



JAC offre une garantie de 5 ans sur tous ses produits.

Cette garantie est valable sur toutes les pièces de votre machine, pièces électroniques incluses, hors consommables. La garantie prend effet à la date d'installation du matériel.

Sous les conditions restrictives suivantes :

- matériel acquis auprès d'un revendeur agréé ;
- installation effectuée par un agent agréé ;
- utilisation du matériel conformément aux indications du mode d'emploi et dans le but pour lequel il a été fabriqué ;
- matériel quotidiennement entretenu conformément aux indications du mode d'emploi ;
- entretiens suivis par l'agent agréé conformément aux spécifications d'entretien avec, au minimum, un entretien par an (entretien à charge de l'utilisateur) ;
- utilisation exclusive des pièces d'origine JAC.



S'il n'y a pas de suivi d'entretien par un agent agréé et/ou que le carnet d'entretien n'est pas correctement complété, la garantie se limite à un an.

Cette garantie ne couvre pas :

- le remplacement des consommables (§9) ;
- les pièces non reconnues défectueuses par nos services ;
- les problèmes résultant d'une utilisation anormale du matériel ;
- les problèmes résultant d'une installation non effectuée par un agent agréé ;
- les pièces ou les problèmes résultant d'un dégât de transport ou d'une manutention inappropriée.

Une réparation et/ou un remplacement de pièces défectueuses effectué(es) durant la période de garantie n'a (n'ont) pas pour effet de prolonger ladite garantie.

3 AVERTISSEMENTS

Il est très important que cette notice d'utilisation soit conservée avec l'appareil pour toute future consultation. Si cet appareil devait être vendu ou transféré à une autre personne, assurez-vous que la notice d'utilisation soit remise de façon à ce que l'utilisateur puisse être informé de son fonctionnement et des avertissements s'y rapportant.



Ces avertissements sont donnés pour votre sécurité et pour celle d'autrui. Nous vous prions donc de bien vouloir les lire attentivement avant d'installer et d'utiliser l'appareil.

Cette machine a été conçue pour être utilisée par des adultes autorisés. Veuillez donc à ce que les enfants n'y touchent pas ou qu'ils ne l'utilisent pas comme un jouet.

Cette machine est exclusivement réservée à un usage professionnel.

Il est dangereux de modifier ou d'essayer de modifier les caractéristiques de cette machine.

Après l'installation de cette machine, assurez-vous qu'elle ne repose pas sur le câble d'alimentation.

Suivez les instructions données pour l'utilisation.

Cette machine doit être stockée et utilisée à l'intérieur, dans un local à l'abri de l'humidité et de la chaleur.

Cette machine doit être suffisamment éclairée pour effectuer le travail.

Cette machine a un niveau sonore inférieur à 70 dB(A), suivant la norme EN ISO 3744.

Cette machine doit être utilisée par une seule personne à la fois (sauf prescription contraire).

Cette machine est destinée au tranchage de pains cuits et tempérés.



Cette machine n'est pas destinée aux pains et matériaux suivants :

- pains chauds, pains rassis ;
- pains congelés, ou partiellement décongelés ;
- pains complets avec une croûte dure et d'autres types de pain avec une croûte dure ;
- pains de seigle ;
- produits non comestibles comme le bois, le plastique et matériaux similaires ;
- tout aliment qui ne fait pas partie de la catégorie des pains ou des cakes.

La machine peut être endommagée lors de la coupe de pains ou matériaux non autorisés.



Toujours débrancher la prise de courant avant de procéder au nettoyage intérieur/extérieur de l'appareil et aux opérations de maintenance.

Cet appareil est lourd. Prenez toutes les précautions de sécurité lors de sa manutention.

4 CARACTERISTIQUES TECHNIQUES

4.1 Caractéristiques techniques

	PICOMATIC 450	PICOMATIC 450 M
Hauteur (mm)	722	722
Hauteur avec capot (mm)	880	880
Hauteur avec socle (mm)	1346	1346
Hauteur avec socle et capot (mm)	1500	1500
Largeur (mm)	607	607
Profondeur (mm)	682	682
Longueur du canal d'entrée (mm)	300	290
Largeur du canal d'entrée (mm)	440	440
Hauteur du canal d'entrée (mm)	180	180
Colisage (mm)	800 x 860 x 800	800 x 860 x 800
Poids net (kg)	105	115
Poids NET + emballage (kg)	125	135
Puissance moteur (kW)	0,49	1,5
Type moteur	Monophasé ou triphasé	Triphasé
220v - 50Hz (A)	5	
380v - 50Hz (A)	3,2	3,2
Capacité (pains/heure)	200<500	200<500
Niveau sonore (dB)	<75	<75

Moteur renforcé	option
Afficheur digital	option
Socle avec roulettes	option
Capot de sécurité avant	option
Double tranche	option
Couleur spéciale	option
Couteaux spéciaux	option
Cellules	option
JACFIX	option

4.2 Détail des matériaux en contact direct avec le pain

Table d'entrée : INOX 430

Pousse-pains : INOX 430

Presse-pains : INOX 430

Lames : Acier

Table de sortie : INOX 430

Ensachoir : INOX 430



5.1 Déconditionnement de la machine

Les machines sont livrées, sorties de nos ateliers, sur palettes, sanglées et protégées par du carton. Avant toute chose, l'emballage doit être observé et tout dommage dû au transport doit être déclaré directement au livreur.

- A. Retirer le carton ainsi que le sachet d'emballage de la machine.
- B. Enlever les sangles en faisant particulièrement attention à la détente de ces dernières lors de leur sectionnement.
- C. Désolidariser la machine de sa palette en enlevant les lattes de bois qui bloquent les roulettes.
- D. Descendre la machine de la palette. Veiller à faire cette manipulation à au moins deux personnes afin d'amortir au mieux le contact avec le sol.
- E. Mettre en place la butée réglable d'ensachoir sur l'ensachoir (fig.10, n°33).

Après déballage de la machine, vérifier qu'elle n'a pas subi de dommages pendant le transport. Nous signaler toute anomalie.

Si la machine est livrée avec un socle (option) :

- A. Monter les roulettes fournies sur le socle en prenant garde d'installer les roulettes munies d'un frein à l'avant.
- B. Poser, au moins à deux personnes, la machine sur le socle.
- C. Retirer le bac à miettes de la machine.
- D. Intercaler les silentbloks fournis entre la machine et le socle (fig.4, n°21).
- E. Insérer, par l'intérieur de la machine, les vis (fig.4, n°20) et rondelles fournies dans les trous prévus à cet effet dans le châssis de la machine.
- F. Passer les vis au travers de la machine, les silentbloks et le socle et serrer l'ensemble avec les écrous fournis (fig.4, n°22).

5.2 Emplacement

Pour obtenir d'excellentes performances et une fiabilité à long terme, choisir un emplacement :

Bien ventilé, à l'abri du rayonnement solaire direct et éloigné des sources de chaleur, avec une surface robuste exempte de vibrations.

5.3 Raccordement électrique

IMPORTANT : Mise à la terre obligatoire.

Il est conseillé de protéger l'installation avec un fusible et un disjoncteur différentiel.

Votre installation électrique alimentant la machine doit être protégée comme indiqué ci-dessous :

- Amérique du Nord : Protection 15A ;

- Reste du monde : Protection 16A.

Pour les machines équipées d'un variateur, celles-ci doivent être impérativement raccordées à une boîte de dérivation sur une ligne équipée d'un différentiel de 300mA.

Note : Tout problème résultant d'un autre type de raccordement ne sera pas pris en compte par la garantie.

Avant de connecter la machine au réseau et afin d'éviter une mise hors service du moteur à la mise sous tension, il est important de vérifier la concordance du réseau d'alimentation avec les caractéristiques de la machine (voir plaque signalétique de celle-ci).

Cet appareil est conforme aux Directives Machines 2006/42, 2014/35, 2014/30 et porte le marquage CE attestant cette conformité.

Veuillez prendre connaissance des pictogrammes de sécurité figurant sur la machine :



Pictogramme signalant un risque de coupure. Vous le retrouverez à l'avant de la machine autour de la zone de dépose du pain (fig.9, n°29).

Vous trouverez le schéma électrique de la machine sur le verso de la porte du coffret électrique (fig.9, n°30).



Pictogramme signalant un risque d'électrocution. Veuillez débrancher la machine avant toute intervention sur celle-ci. Vous retrouverez ce pictogramme à l'arrière de la machine à proximité du câble d'alimentation et à l'intérieur de la machine sur le coffret électrique (fig.9, n°31).



Pictogramme signalant un risque de contact avec la mécanique en mouvement. Vous le retrouverez près du bac à mies (fig.9, n°28).

5.4 Mise en service

Avant la mise en service, s'assurer de l'absence de tout objet parasite sur les parties en mouvement de la machine.

Pour l'utilisation de la machine, se reporter au chapitre « Utilisation ».

5.5 Danger

En cas de danger pour l'utilisateur ou pour la machine, utiliser l'interrupteur général pour couper l'alimentation de la machine.

Retirer la fiche de la prise électrique avant toute opération de maintenance et d'entretien.
Ne pas toucher la lame, même à l'arrêt.

Pour le changement de lame, faire faire l'opération par votre distributeur agréé.

Veiller à toujours porter des gants de protection anti-coupure lors du remplacement de la lame ou lors d'une opération au voisinage des lames.

Toute opération de maintenance ou de remplacement de pièce doit être effectuée par une personne qualifiée.

6 ORGANE DE COMMANDE ET DE SECURITE

6.1 Organe de commande

Votre trancheuse est équipée de série d'un bouton d'arrêt d'urgence (fig.1, n°5).

Certaines machines sont équipées d'un afficheur digital (fig.6) (MRK – MRK ETL – MRF – MRL – MRL ETL – MRM – MRC) qui permet :

- de mettre l'écran de la machine sous tension (fig.6, n°24) ;
- de mettre l'écran de la machine hors tension (fig.6, n°26) ;
- de remettre à zéro le compteur de coupe pour les machines équipées en appuyant simultanément 5 secondes sur les deux boutons situés sous le logo ISC (fig.6, n°25) ;
- de mettre à zéro le compteur d'huile (MRF – MRM) (fig.6, n°27) ;
- de programmer les différents réglages de la machine (réservé à un agent agréé) (fig.6, n°25).

Cet afficheur vous indique :

- le nombre de coupes effectuées ;
- si vos lames doivent être remplacées ;
- si une sécurité est enclenchée.

6.2 Zone de travail

La zone de travail se situe devant la machine (fig.3, n°19).

6.3 Organes de sécurité

Si votre machine en est équipée, la fermeture du capot active la mise en marche de la machine. L'ouverture de celui-ci stoppe la machine (fig.1, n°1) (MRZ – MRP – MRK – MRK ETL – MRF – MRP – MRQ).

Cette machine est équipée :

D'un interrupteur de sécurité (fig.1, n°10) qui empêche la machine de fonctionner quand le capot arrière (fig.1, n°10) (MRZ – MRP – MRK – MRK ETL – MRF – MRP – MRQ – MRR – MRC – MRC ETL) est ouvert.

D'un interrupteur de sécurité (fig.2, n°18) qui empêche la machine de fonctionner quand le capot avant (fig.2, n°17) (option) (MRC – MRC ETL - MRR) est ouvert.

D'une cellule photoélectrique (fig.2, n°15) qui empêche le fonctionnement de la machine lorsque le faisceau est coupé (option) (MRL – MRL ETL – MRM).

7 UTILISATION

Si votre machine est équipée d'un socle (fig.1, n°8) (option), les roulettes pourvues d'un frein doivent être bloquées pour l'utilisation (fig.1, n°9).

En début de journée, mettre la machine sous tension à l'aide de l'arrêt d'urgence (fig.1, n°5). Pour les machines équipées d'un afficheur digital (fig.6) (MRK – MRK ETL – MRF – MRL – MRL ETL – MRM – MRC), appuyer sur le bouton vert de mise sous tension (fig.6, n°24).

Procédure d'utilisation (fig.5)

- A. Placer le pain sur la table arrière, entre les lames et la partie mobile.
- B. Fermer le capot arrière (MRZ – MRP – MRK – MRK ETL – MRF – MRP – MRQ – MRR – MRC – MRC ETL), cette action met en route la machine. Si la machine est équipée de cellules photoélectriques (option) (MRL – MRL ETL – MRM), appuyer sur le bouton vert (fig.6, n°24) afin de démarrer le processus de coupe.
- C. Une fois le processus de coupe terminé, récupérer le pain coupé à l'avant de la machine. Le capot arrière s'ouvre (MRZ – MRP – MRK – MRK ETL – MRF – MRP – MRQ - MRR). Si la machine est équipée d'un capot avant, l'ouvrir avant de récupérer le pain (option) (MRC – MRC ETL - MRR). Si votre machine est équipée d'un JACFIX (option), ce système a pour effet de maintenir le pain une fois coupé. Retirer le pain vers le haut afin de le libérer du JACFIX.

En fin de journée, pour les machines équipées d'un afficheur digital (MRK – MRK ETL – MRF – MRL – MRL ETL – MRM – MRC – MRC ETL), appuyer sur le bouton jaune de sécurité de mise hors tension (fig.6, n°26). Appuyer sur le bouton rouge **d'arrêt d'urgence (fig.1, n°5)** pour mettre la machine hors tension.

Conseil : Après les premiers jours de travail, faire contrôler la tension des lames par une personne qualifiée.

Capacité : Nombre de pains coupés par jour : 6000 (en fonction du type de pain).

Dimensions du pain (L x l x h) (cm) :

MRZ – MRP – MRK – MRK ETL – MRQ - MRL – MRL ETL – MRR – MRC – MRC ETL

min. 12 x 6 x 6 - max. 44 x 30 x 18

MRM – MRF – MRR - MRQ

min. 12 x 6 x 6 - max. 44 x 29 x 18

Sécurité :

L'ouverture du capot de sécurité arrière (fig.1, n°1) empêche le fonctionnement de la machine (MRZ – MRP – MRK – MRK ETL – MRF – MRZ – MRP – MRQ – MRR – MRC – MRC ETL).

L'ouverture du capot de sécurité avant (fig.2, n°17) empêche le fonctionnement de la machine (MRC - MRC ETL – MRR).

Passer devant les cellules photoélectriques (fig.2, n°15) empêche le fonctionnement de la machine (MRL – MRL ETL – MRM).



L'activation d'une sécurité est signalée par un message sur l'afficheur (fig.6, n°23) (MRK – MRK ETL – MRF – MRL – MRL ETL – MRM – MRC).

8 ENTRETIEN

8.1 Journalier par un utilisateur formé

- A. Vérifier s'il ne faut pas vider le bac à miettes.
- B. Nettoyer les tables à l'aide d'une brosse.
- C. Utiliser un chiffon sec pour le nettoyage intérieur.
- D. Pour l'entretien extérieur, utiliser un chiffon humide.

8.2 Toutes les 25 000 coupes et/ou 1 fois par an au minimum, par un agent agréé

Retirer la fiche de la prise.

Vérifier l'état des lames de coupe.

Si une dépréciation de la qualité de la coupe est notée, il faut procéder au remplacement des lames de coupe (référence JAC : 6100011, 6110001 du catalogue de Pièces de Rechange JAC).

Si elles sont à changer, remplacer les lames conformément à la procédure de changement des lames de coupe.

NB : Ne pas tendre les lames à l'excès, au risque de déformer les cadres.

Nettoyer à la brosse et aspirer l'intérieur de la machine.

Vérifier l'état des roulements, ensuite graisser ceux-ci.

Graisser les articulations du vérin.

Bien vérifier que votre agent agréé enregistre son intervention dans votre carnet d'entretien afin de conserver votre garantie de 5 ans.

Complément d'entretien pour les modèles avec huilage

**L'huile à utiliser est : 7940019 (comme mentionné dans le catalogue JAC « pièces détachées »
Ou une huile végétale liquide alimentaire avec antioxydant naturel**

Toutes les 1000 coupes ou tous les 15 jours, par un utilisateur formé :

Ajouter la dose d'huile alimentaire (100 à 150 ml) nécessaire pour imbiber les feutres du CHARIOT (actionner le bouton d'avance chariot pour permettre l'accès au bouchon d'alimentation d'huile).

Toutes les 25 000 coupes et/ou 1 fois par an au minimum, par un agent agréé :

Retirer la fiche de la prise.

Remplacer les feutres du poussoir.

8.3 Changement des lames

(Fig.8)

Veiller à toujours porter des gants de protection anti-coupure (Norme EN 388 : 2003 indice B= 5) et des chaussures de sécurité lors du remplacement de la lame ou lors d'une opération au voisinage des lames.

S'assurer que la fiche de la machine est bien déconnectée du secteur.

Pour les machines équipées d'un capot avant et arrière (MRC – MRC ETL - MRR), démonter le capot avant à l'aide des 4 vis qui le maintiennent (fig.7).

- A. Démonter la tôle arrière de la machine à l'aide des 4 vis.
- B. Dévisser les deux vis de la table arrière et la glisser vers l'arrière de la machine pour libérer la table avant.
- C. Dévisser l'ensachoir à l'aide de la molette de gauche, dévisser la molette de droite et dévisser les deux vis de la coiffe.
- D. Ouvrir la coiffe. Dévisser les 4 vis de la table avant et la retirer.
- E. Sur le côté gauche intérieur, Desserrer la vis **A** qui fixe la biellette au cadre avant.
- F. Coucher le cadre vers l'avant. Remplacer les lames du cadre arrière (déposer de quoi se protéger sur les lames du cadre avant). Desserrer les contre-écrous vissés sur les vis **B** (MRF – MRM – ~~MRR~~ - MRQ). Desserrer les vis **B** pans creux qui tendent les lames. Remplacer les lames en contrôlant qu'elles soient bien placées dans l'ergot des balanciers. Retendre les lames en serrant les vis **B** avec, comme repère pour la tension, les lames restées sur le cadre. Serrer ensuite les écrous (machine équipée de l'option huilage).

Afin de ne pas déformer le cadre et de ne pas risquer de casses dangereuses, ne remplacer que 1 à 3 lame(s) à la fois en alternant de gauche à droite.

Recommencer la procédure du point E pour le cadre avant et remonter le cadre avant ainsi que les éléments d'habillage.

Connecter la machine au réseau électrique, la machine est prête.

Bien vérifier que votre agent agréé enregistre son intervention dans votre carnet d'entretien afin de conserver votre garantie de 5 ans.

9 CONSOMMABLES

Lors d'une commande d'une pièce de rechange, vérifier avec votre agent agréé de quelle pièce il s'agit sur la base du catalogue de pièces de rechange émis par le fabricant.

Toujours préciser le numéro de machine comme indiqué sur la plaque signalétique.

Votre agent effectue les commandes auprès de JAC.

9.1 Liste des CONSOMMABLES

CODE ARTICLE	LIBELLE	MODELE
7240031	COURROIE A 31	TOUTES
5690010	PATIN DE GLISSIERE 100MM	TOUTES
5740162	BIELLETTE DE CADRE	TOUTES
6110001	COUTEAU JAC 13MM/0,5MM	PICOMATIC 450
6110011	COUTEAU JAC 13MM/0,5MM + TEFLON	PICOMATIC 450M
5310026	RESSORT PRESSE PAIN ANNEAU PLASTIQUE	PICOMATIC 450
5310030	RESSORT PRESSE PAIN ANNEAU INOX	PICOMATIC 450M
5690151	PATIN PRESSE PAIN	TOUTES
6530002	BANDE REFLECHISSANTE CELLULE PHOTOELECTRIQUE	TOUTES
5690102	JAC FLAPS	TOUTES
6120002	FEUTRE POUSSOIR	PICOMATIC 450M
BMJL001 - BMJL002	RESSORT JACFIX	TOUTES



Problème	Vérification
La machine ne tourne pas	Brancher la machine à l'aide du câble (fig.1, n°14)
	Déverrouiller l'arrêt d'urgence (fig.1, n°5)
	Fermer le capot
	Fermer la porte
La machine fonctionne, mais les pains sont endommagés ou coupés de manière irrégulière	Vérifier s'il ne faut pas remplacer les lames (fig.7, 8)
	Laisser le pain refroidir quelques heures
	Introduire un pain aux dimensions acceptées
	Introduire un pain assez ferme
	Si les lames sont désalignées, régler les lames et les cadres
Le pain vibre dans les lames	Si les lames sont désalignées, régler les lames et les cadres
Le pain se coupe trop lentement	Vérifier s'il ne faut pas remplacer les lames (fig.7, 8)
	Vérifier que les ressorts du presse-pains sont bien en place (fig.10, n°32)
Le pain se déchire	Si les lames sont désalignées, régler les lames et les cadres
	Vérifier que les ressorts du presse-pains sont bien en place (fig.10, n°32)
Le pain sort très lentement ou reste dans les lames	Vérifier que les ressorts du presse-pains sont bien en place (fig.10, n°32)
Le pain est écrasé en sortie des lames	Enlever un ressort du presse-pains et recommencer votre test (fig.10, n°32)

ATTENTION : La machine doit obligatoirement être mise hors tension pour toute intervention.



Si le problème persiste, veuillez contacter votre technicien.

11 CODES D'ERREUR

11.1 Machines équipées d'un écran (MRK – MRK ETL – MRF – MRL – MRL ETL – MRM – MRC)

Message affiché sur l'écran	Description du problème	Action
STOP ! CELLULE PHOTOELECTRIQUE VERIFIER	Faisceaux de la cellule photoélectrique (S5) coupés	Veuillez redémarrer la machine à l'aide de l'arrêt d'urgence (fig. 1, n°5). Si le problème persiste, veuillez contacter votre technicien.
ARRET TIROIR OUVERT FERMER LE TIROIR	Bac à mies (S7) ouvert	
ARRET SURCHAUFFE MOTEUR ATTENDRE !!!	Thermique du moteur de lame (F3) enclenché	
PRESSER START POUR REPOSITIONNER LA MACHINE	Pousse-pains pas en position initiale (S1)	
CAPOT OUVERT FERMER LE CAPOT	Capot de sécurité ouvert (S6)	
REPLIR LE RESERVOIR D'HUILE DE COUPE	Appoint d'huile nécessaire dans le pousse-pains	
RESTE 0 COUPE AVANT REPLACEMENT DES LAMES	Remplacement des couteaux nécessaire	



Si le problème persiste, veuillez contacter votre technicien.

12 LISTE DES COMPOSANTS SUR LES FIGURES

Figure	Bulle	Nom
	1	Capot arrière
1	2	Ensachoir
	3	Pousse-pains
	4	Coiffe
	5	Bouton d'arrêt d'urgence
	6	Presse-pains
	7	Table avant
	8	Socle à roulettes (option)
	9	Roulettes freinées
	10	Interrupteur de sécurité capot arrière
	11	Molette
	12	Table arrière
	13	Tôle arrière
	14	Câble d'alimentation
	2	15
16		Afficheur digital (MRK – MRK ETL – MRF – MRL – MRL ETL – MRM – MRC)
17		Capot avant (option)
18		Interrupteur de sécurité capot avant
3	19	Zone de travail
4	20	Vis d'assemblage socle à roulettes
	21	Silentbloc socle à roulettes
	22	Ecrou de serrage socle à roulettes
6	23	Ecran digital
	24	Mise sous tension de l'afficheur (MRK – MRK ETL – MRF – MRL – MRL ETL – MRM – MRC)
	25	Touche de programmation (MRK – MRK ETL – MRF – MRL – MRL ETL – MRM – MRC) (réservée à un technicien)
	26	Mise hors tension de l'afficheur (MRK – MRK ETL – MRF – MRL – MRL ETL – MRM – MRC)
	27	Mise à zéro de la mise à niveau d'huile (MRM – MRF)
9	28	Signalétique « risque mécanique »
	29	Signalétique « risque de coupure »
	30	Schéma électrique
	31	Signalétique « risque d'électrocution »
10	32	Ressort de presse-pains décrochable
	33	Butée réglable d'ensachoir



1	VOR DER INBETRIEBNAHME	34
2	GARANTIE	34
3	WARNHINWEISE	35
4	TECHNISCHE DATEN	36
4.1	<i>Technische Daten</i>	36
4.2	<i>Materialien, die in Kontakt mit dem Brot kommen</i>	37
5	INSTALLATION UND INBETRIEBNAHME	37
5.1	<i>Auspacken der Maschine:</i>	37
5.2	<i>Aufstellung:</i>	38
5.3	<i>Anschluss an die Stromversorgung:</i>	38
5.4	<i>Inbetriebnahme:</i>	39
5.5	<i>Gefahr:</i>	39
6	BEDIENELEMENT UND SICHERHEITSVORRICHTUNG	39
6.1	<i>Bedienelement:</i>	39
6.2	<i>Arbeitsbereich:</i>	40
6.3	<i>Sicherheitseinrichtungen:</i>	40
7	BEDIENUNG	40
8	INSTANDHALTUNG	41
8.1	<i>Taglich durch einen eingewiesenen Bediener:</i>	41
8.2	<i>Nach 25.000 Schnitten und/oder mindestens ein Mal jahrlich durch einen zugelassenen Vertreter:</i> 41	
8.3	<i>Austausch der Messer</i>	42
9	ERSATZTEILE	43
9.1	<i>ERSATZTEILLISTE</i>	43
10	STÖRUNGEN UND FEHLER	44
11	FEHLERCODES	45
11.1	<i>Maschinen mit Bildschirm (MRK – MRK ETL – MRF – MRL – MRL ETL – MRM – MRC)</i>	45
12	LISTE DER ABGEBILDETEN TEILE UND FUNKTIONEN	46

1 VOR DER INBETRIEBNAHME

Vielen Dank, dass Sie sich für ein Gerät von JAC entschieden haben. Bitte lesen Sie diese Bedienungsanleitung vor der Installation und Inbetriebnahme dieser Maschine aufmerksam durch. Dies dient zu Ihrer Sicherheit und zum Schutz der Maschine vor Schäden.

Diese Bedienungsanleitung enthält Verweise auf verschiedene Abbildungen, die das Verständnis der Anleitungen erleichtern. Die Abbildungen befinden sich am Schluss der Bedienungsanleitung. Bitte schlagen Sie die jeweilige Abbildung anhand des angegebenen Verweises (Fig. X, Nr. Y) nach.

Damit Sie sich viele Jahre an dieser Maschine erfreuen können, möchten wir Sie bitten, die folgenden Hinweise zu berücksichtigen:

- Lassen Sie sich bei der Installation, der Inbetriebnahme und der weiteren Nutzung von Ihrem zugelassenen Vertreter unterstützen.

- Um die Garantie von fünf Jahren (siehe nachfolgende Garantiebestimmungen) in Anspruch nehmen zu können, lassen Sie bitte von Ihrem Vertriebshändler bei der Installation Ihrer Maschine das Wartungsheft ausfüllen. Das Wartungsheft befindet sich an der Rückseite Ihrer Maschine.

2 GARANTIE



JAC bietet auf alle seine Produkte eine Garantie von fünf Jahren.

Diese Garantie erstreckt sich auf alle Teile Ihrer Maschine, auch auf die elektronischen Bauteile, außer Verschleißteile. Die Garantiefrist beginnt zum Zeitpunkt der Installation der Anlage.

Es gelten die folgenden Beschränkungen:

- Das Produkt wurde bei einem zugelassenen Vertragshändler erworben.
- Die Installation wurde von einem zugelassenen Vertreter vorgenommen.
- Das Produkt wurde im Rahmen seines bestimmungsgemäßen Gebrauchs und entsprechend der Bedienungsanleitung verwendet.
- Das Produkt wurde täglich entsprechend den Vorgaben der Bedienungsanleitung instandgehalten.
- Die Wartung wird durch einen zugelassenen Vertreter entsprechend den Wartungsvorgaben durchgeführt und findet mindestens einmal jährlich statt (auf Kosten des Anwenders).
- Es werden ausschließlich Originalersatzteile von JAC verwendet.



Sofern keine Wartung durch einen zugelassenen Vertreter erfolgt bzw. das Wartungsheft nicht ordnungsgemäß ausgefüllt ist, ist die Garantie auf ein Jahr begrenzt.

Diese Garantie deckt nicht:

- den Ersatz von Verschleißteilen (siehe Abschnitt 9);
- Teile, die unser Kundendienst nicht als defekt anerkennt;

- Probleme, die sich aus einer ungewöhnlichen Nutzung des Produktes ergeben;
- Probleme, die darauf zurückzuführen sind, dass die Installation nicht durch einen zugelassenen Vertreter durchgeführt wurde;
- Beschädigungen oder Probleme, die auf einen Transportschaden oder auf die unsachgemäße Handhabung des Produktes zurückzuführen sind.

Die Durchführung einer Reparatur und/oder der Ersatz defekter Teile während der Garantiefrist führen nicht zur Verlängerung der Garantiefrist.

3 **WARNHINWEISE**

Bitte bewahren Sie diese Bedienungsanleitung unbedingt mit Ihrem Gerät zum späteren Nachlesen auf. Bei Verkauf oder Weitergabe Ihres Gerätes übergeben Sie bitte diese Bedienungsanleitung an den neuen Besitzer bzw. Benutzer, damit dieser über die Funktionsweise des Gerätes und die Warnhinweise informiert ist und diese befolgen kann.



Diese Warnhinweise dienen zu Ihrer Sicherheit und der Sicherheit anderer. Bitte lesen Sie die Warnhinweise vor der Installation und Verwendung Ihres Gerätes aufmerksam durch.

Diese Maschine ist für die Verwendung durch befugte erwachsene Personen bestimmt. Stellen Sie sicher, dass die Maschine nicht von Kindern berührt oder als Spielzeug benutzt wird.

Diese Maschine ist ausschließlich für den professionellen Einsatz vorgesehen.

Eine Modifizierung bzw. versuchte Modifizierung der Eigenschaften und Merkmale dieser Maschine ist gefährlich.

Stellen Sie nach der Installation dieser Maschine sicher, dass diese nicht auf dem Netzkabel steht.

Befolgen Sie stets die Anleitungen zur Bedienung und Verwendung.

Die Maschine ist in einem Innenraum und gegen Feuchtigkeit und Hitze geschützt aufzustellen.

Die Maschine muss zur Durchführung der Arbeiten ausreichend ausgeleuchtet sein.

Der Geräuschpegel der Maschine liegt unter 70 dB(A) und entspricht damit der EN ISO 3744.

Die Maschine darf nicht von mehreren Personen gleichzeitig benutzt werden (es sei denn, die Anleitung gibt etwas Anderes vor).

Die Maschine dient zum Schneiden abgekühlter Brotlaibe.



Diese Maschine darf nicht zum Schneiden der folgenden Brote, Artikel und Materialien verwendet werden:

- Warmes Brot, altbackenes Brot
- Gefrorenes oder halb aufgetautes Brot
- Vollwertbrot mit harter Kruste und andere Brotsorten mit harter Kruste

- Roggenbrot
- Ungenießbare Produkte wie Holz, Kunststoff oder Ähnliches
- Lebensmittel, die nicht zur Gruppe der Backwaren (speziell Brote und Kuchen) gehören.

Die Verwendung der Maschine zum Schneiden nicht zulässiger Brote, Artikel und Materialien kann zur Beschädigung der Maschine führen.



Vor Reinigungsarbeiten innen und außen am Gerät und vor Wartungsarbeiten immer den Netzstecker ziehen.

Dieses Gerät ist sehr schwer. Beim Transport und Bewegen des Gerätes sind angemessene Vorsichtsmaßnahmen zu ergreifen.

4 TECHNISCHE DATEN

4.1 Technische Daten

	PICOMATIC 450	PICOMATIC 450 M
Höhe (mm)	722	722
Höhe mit Abdeckung (mm)	880	880
Höhe mit Sockel (mm)	1346	1346
Höhe mit Sockel und Abdeckung (mm)	1500	1500
Breite (mm)	607	607
Tiefe (mm)	682	682
Länge der Schneidkammer (mm)	300	290
Breite der Schneidkammer (mm)	440	440
Höhe der Schneidkammer (mm)	180	180
Verpackungsmaße (mm)	800 x 860 x 800	800 x 860 x 800
Nettogewicht (kg)	105	115
Nettogewicht + Verpackung (kg)	125	135
Motorleistung (kW)	0,49	1,5
Motortyp	Einphasig oder dreiphasig	dreiphasig
220 V - 50 Hz (A)	5	
380 V - 50 Hz (A)	3,2	3,2
Kapazität (Brote/Stunde)	200<500	200<500
Geräuschpegel (dB)	<75	<75

Verstärkter Motor	Option
Digitale Anzeige	Option
Sockel mit Rollen	Option
Schutzabdeckung vorne	Option
Doppelschnitt	Option
Sonderfarbe	Option
Spezialmesser	Option
Zellen	Option
JACFIX	Option

4.2 Materialien, die in Kontakt mit dem Brot kommen

Aufgabertisch: EDELSTAHL 430

Brotchieber: EDELSTAHL 430

Brotpresse: EDELSTAHL 430

Messer: Stahl

Austragstisch: EDELSTAHL 430

Brotablage EDELSTAHL 430

5 **INSTALLATION UND INBETRIEBNAHME**

5.1 Auspacken der Maschine:

Unsere Maschinen werden zur Lieferung ab Werk auf Paletten verpackt, mit Umreifungsbändern gesichert und mit einer Kartonverpackung geschützt. Prüfen Sie die Verpackung bei Erhalt auf Beschädigungen und teilen Sie dem Spediteur etwaige Transportschäden direkt mit.

- A. Entfernen Sie die Kartonverpackung und die Folie von der Maschine.
- B. Entfernen Sie die Umreifungsbänder und bedenken Sie dabei, dass diese beim Durchschneiden aufspringen.
- C. Lösen Sie die Maschine durch Entfernen der Holzleisten, welche die Räder sichern, von der Palette.
- D. Heben Sie die Maschine von der Palette. Dies muss durch mindestens zwei Personen erfolgen, so dass die Maschine möglichst sicher auf dem Boden abgesetzt werden kann.
- E. Den einstellbaren Anschlag der Brotablage auf der Brotablage einrichten. (Fig. 10, Nr. 33)

Die Maschine nach dem Auspacken auf Transportschäden überprüfen. Melden Sie uns bitte alle Fehler und Schäden.

Wenn Ihre Maschine mit einem Sockel (Option) ausgeliefert wird:

- A. Die mitgelieferten Rollen am Sockel montieren und darauf achten, die Rollen mit einer Bremse vorne zu installieren.
- B. Die Maschine muss von mindestens zwei Personen auf dem Sockel abgestellt werden.

- C. Den Krümelbehälter entfernen.
- D. Die mitgelieferten Silentblocs zwischen der Maschine und dem Sockel einsetzen (Fig. 4, Nr. 21).
- E. Über die Innenseite der Maschine die mitgelieferten Schrauben (Fig. 4, Nr. 20) und Unterlegscheiben an den dazu vorgesehenen Bohrungen im Maschinengestell anbringen.
- F. Die Schrauben durch die Maschine, die Silentblocs und den Sockel führen und alles mit den mitgelieferten Muttern (Fig. 4, Nr. 22) anziehen.

5.2 Aufstellung:

Um eine hohe Leistung, eine lange Lebensdauer und einen zuverlässigen Betrieb sicherzustellen, sollte der Aufstellort wie folgt beschaffen sein:

Gut belüftet, vor direkter Sonneneinstrahlung geschützt, in ausreichender Entfernung zu Wärmequellen, mit tragfähigem und schwingungsfreiem Boden.

5.3 Anschluss an die Stromversorgung:

WICHTIG: Die Erdung der Maschine ist vorgeschrieben.

Wir empfehlen den Schutz der Anlage durch eine Sicherung und einen FI-Schutzschalter.

Ihr Stromnetz zur Versorgung der Maschine muss folgendermaßen geschützt werden:

- Nordamerika: Schutz 15 A;
- Rest der Welt: Schutz 16 A.

Maschinen mit Stromrichter müssen zwingend über einen FI-Schutzschalter für 300 mA angeschlossen werden.

Hinweis: Probleme und Störungen, die sich durch abweichende Ausführung des Anschlusses ergeben, sind nicht durch die Garantie gedeckt.

Prüfen Sie vor dem Anschließen der Maschine an das Stromnetz unbedingt, ob die Stromversorgung für die Maschine geeignet ist (siehe Angaben auf dem Typenschild), um einen Motorausfall beim Einschalten zu vermeiden.

Dieses Gerät entspricht den Maschinenrichtlinien 2006/42/EG, 2014/35/EU, 2014/30/EU und ist daher mit dem CE-Zeichen gekennzeichnet.

Bitte beachten Sie die an der Maschine angebrachten Warnsymbole:



Warnsymbol zur Anzeige der Schneidgefahr. Dieses Warnsymbol befindet sich auf der Vorderseite der Maschine im Bereich der Brotaufnahme (Fig. 9, Nr. 29).



Den Schaltplan der Maschine finden Sie auf der Rückseite der Schaltkastentür (Fig. 9, Nr. 30).



Warnsymbol zur Anzeige der Gefahr eines tödlichen Stromschlags. Die Maschine vor jedem Eingriff vom Stromnetz nehmen. Das Warnsymbol ist an der Rückseite der Maschine neben dem Netzanschluss sowie im Inneren der Maschine auf dem Schaltkasten angebracht (Fig. 9, Nr. 31).

Warnsymbol für Verletzungsgefahr durch bewegliche Teile. Sie finden dieses Symbol am Krümelfach (Abb. 9 Nr. 28).

5.4 Inbetriebnahme:

Vor der Inbetriebnahme sicherstellen, dass sich keine Fremdkörper auf den beweglichen Teilen der Maschine befinden.

Weitere Informationen zur Verwendung der Maschine erhalten Sie im Abschnitt „Bedienung“.

5.5 Gefahr:

Bei einer Gefahr für den Anwender oder die Maschine ist die Maschine über den Hauptschalter auszuschalten.

Vor Wartungs- oder Instandsetzungsmaßnahmen den Netzstecker ziehen.
Die Klinge niemals berühren, und zwar auch dann nicht, wenn die Maschine abgeschaltet ist.

Das Messer muss von einem zugelassenen Vertreter ausgetauscht werden.

Tragen Sie beim Austauschen des Messers und während Arbeiten direkt neben dem oder am Messer stets Schutzhandschuhe zum Schutz vor Schnittverletzungen.

Wartungsmaßnahmen und der Austausch von Ersatzteilen dürfen nur durch eine qualifizierte Person erfolgen.

6 BEDIENELEMENT UND SICHERHEITSVORRICHTUNG

6.1 Bedienelement:

Ihre Brotschneidemaschine ist serienmäßig mit einem Not-Aus-Schalter ausgestattet (Fig. 1, Nr. 5).

Manche Maschinen sind mit einer digitalen Anzeige ausgestattet (Fig. 6) (MRK – MRK ETL – MRF – MRL – MRL ETL – MRM – MRC), mit der:

- der Bildschirm der Maschine eingeschaltet werden kann (Fig. 6, Nr. 24);
- der Bildschirm der Maschine abgeschaltet werden kann (Fig. 6, Nr. 26);
- der Schnittzähler bei den so ausgerüsteten Maschinen auf Null gesetzt werden kann, indem die beiden Tasten unter dem ISC-Logo (Fig. 6, Nr. 25) für fünf Sekunden gleichzeitig gedrückt gehalten werden;
- der Ölzähler zurückgesetzt werden kann (MRF – MRM) (Fig. 6, Nr. 27);
- die verschiedenen Einstellungen der Maschine (durch einen zugelassenen Vertreter) programmiert werden können (Fig. 6, Nr. 25).

Diese Anzeige weist auf Folgendes hin:

- die durchgeführte Schnittanzahl;
- ob die Messer ausgetauscht werden müssen;
- ob eines der Sicherheitssysteme ausgelöst hat.

6.2 Arbeitsbereich:

Der Arbeitsbereich befindet sich an der Vorderseite der Maschine (Fig. 3, Nr. 19).

6.3 Sicherheitseinrichtungen:

Soweit Ihre entsprechend ausgestattet ist, wird sie durch das Schließen der Abdeckung eingeschaltet. Deren Öffnung hält die Maschine an (Fig. 1, Nr. 1) (MRZ – MRP – MRK – MRK ETL – MRF – MRP – MRQ).

Diese Maschine ist mit folgenden Sicherheitseinrichtungen ausgestattet:

Mit einem **Sicherheitsschalter** (Abb. 1 Nr. 10), der verhindert, dass die Maschine weiterläuft, wenn die hintere Abdeckung offen ist (Abb. 1 Nr. 10) (MRZ – MRP – MRK – MRK ETL – MRF – MRP – MRQ – MRR – MRC – MRC ETL).

Mit einem Sicherheitsschalter (Fig. 2, Nr. 18) , der verhindert, dass die Maschine weiter läuft, wenn die vordere Abdeckung (Fig. 2, Nr. 17) (Option) (MRC – MRC ETL - MRR) offen ist.

einer photoelektrischen Zelle (Fig. 2, Nr. 15), die den Betrieb der Maschine unterbricht, wenn das Lichtbündel unterbrochen wird (Option) (MRL – MRL ETL – MRM).

7 BEDIENUNG

Wenn Ihre Maschine mit einem Sockel (Fig. 1, Nr. 8) (Option) versehen ist, müssen vor dem Betrieb die mit Bremsen versehenen Räder (Fig. 1, Nr. 9) festgestellt werden.

Die Maschine bei Tagesbeginn über den Not-Aus einschalten. (Fig. 1, Nr. 5)

Bei Maschinen mit einer digitalen Anzeige (Fig. 6) (MRK – MRK ETL – MRF – MRL – MRL ETL – MRM – MRC) auf den grünen Einschalter (Fig. 6, Nr. 24) drücken.

Bedienung (Fig. 5)

- Das Brot auf dem hinteren Tisch zwischen den Messern und dem beweglichen Teil ablegen.
- Durch Schließen der hinteren Abdeckung wird die Maschine eingeschaltet (MRZ – MRP – MRK – MRK ETL – MRF – MRP – MRQ – MRR – MRC – MRC ETL). Wenn die Maschine mit Lichtschranken ausgestattet ist (Option) (MRL – MRL ETL – MRM), drücken Sie die grüne Taste (Abb. 6 Nr. 24), um den Schneidvorgang zu starten.
- Wenn der Schneidvorgang beendet ist, können Sie das Brot vorne aus der Maschine nehmen. Die hintere Abdeckung wird geöffnet (MRZ – MRP – MRK – MRK ETL – MRF – MRP – MRQ – MRR). Wenn die Maschine mit einer vorderen Abdeckung ausgestattet ist, öffnen Sie diese, bevor Sie das Brot herausnehmen (Option) (MRC – MRC ETL - MRR). Wenn Ihre Maschine mit JACFIX ausgestattet ist (Option), wird das Brot nach dem Schneiden gehalten. Ziehen Sie das Brot nach oben aus JACFIX heraus.

Bei Maschinen mit digitaler Anzeige (MRK – MRK ETL – MRF – MRL – MRL ETL – MRM – MRC – MRC ETL) am Ende des Tages gelben Aus-Schalter drücken (Abb. 6 Nr. 26). Drücken Sie den roten **Not-Aus-Schalter (Abb. 1 Nr. 5)**, um die Maschine abzuschalten.

Tipp: Nach den ersten Betriebstagen die Spannung der Messer durch eine qualifizierte Person überprüfen lassen.

Kapazität: Geschnittene Brote pro Tag: 6000 (je nach Brotsorte).

Brotgrößen (L x B x H in cm):

MRZ – MRP – MRK – MRK ETL – MRQ - MRL – MRL ETL – MRR – MRC – MRC ETL

mind. 12 x 6 x 6 - max. 44 x 30 x 18

MRM – MRF – MRR - MRQ

min. 12 x 6 x 6 - max. 44 x 29 x 18

Sicherheit

Ist die hintere Schutzabdeckung geöffnet (Abb. 1 Nr. 1), kann die Maschine nicht laufen (MRZ – MRP – MRK – MRK ETL – MRF – MRZ – MRP – MRQ – MRR – MRC – MRC ETL).

Ist die vordere Schutzabdeckung geöffnet (Abb. 2 Nr. 17), kann die Maschine nicht laufen (MRC – MRC ETL – MRR).

Eine Bewegung vor den photoelektrischen Zellen (Fig. 2, Nr. 15) verhindert den Betrieb der Maschine (MRL – MRL ETL – MRM).

Das Einschalten eines Sicherheitssystems wird durch eine Meldung auf der Anzeige signalisiert (Fig. 6, Nr. 23) (MRK – MRK ETL – MRF – MRL – MRL ETL – MRM – MRC).

8 INSTANDHALTUNG

8.1 Täglich durch einen eingewiesenen Bediener:

- A. Prüfen, ob das Krümfach geleert werden muss.
- B. Die Tische mit einer Bürste reinigen.
- C. Den Innenbereich mit einem trockenen Tuch reinigen.
- D. Zur Reinigung des Außenbereichs ein feuchtes Tuch verwenden.

8.2 Nach 25.000 Schnitten und/oder mindestens ein Mal jährlich durch einen zugelassenen Vertreter:

Den Stecker aus der Steckdose ziehen.

Den Zustand der Messer überprüfen.

Soweit die Schneidqualität nachgelassen hat, muss das Messer ausgetauscht werden (JAC Bestellnummer: 610011, 6110001 Ersatzteilkatalog JAC)

Das Messer ist entsprechend dem für den Austausch der Messer vorgeschriebenen Verfahren auszutauschen.

HINWEIS: Die Messer nicht zu stark spannen - andernfalls können die Rahmen verformen.

Mit der Bürste reinigen und den Innenbereich der Maschine absaugen.

Den Zustand der Lager überprüfen und diese schmieren.

Die Zylindergelenke schmieren.

Hier bitte sicherstellen, dass Ihr zugelassener Vertreter diese Maßnahmen im Wartungsheft festhält, um Ihren Garantieanspruch von fünf Jahren zu erhalten.

Zusätzliche Wartungsmaßnahmen bei Modellen mit Schmiersystem

Es ist folgendes Öl zu verwenden: 7940019 (wie im JAC Ersatzteilkatalog beschrieben).

Oder ein flüssiges und für den Lebensmittelbereich zugelassenes Pflanzenöl mit natürlichen Antioxidantien.

Nach 1000 Schneidvorgängen oder alle zwei Wochen durch einen eingewiesenen Bediener:

Die erforderliche Menge an Speiseöl (100 bis 150 ml) zugeben, um den Filz des WAGENS zu befeuchten (den Schalter für die Vorwärtsbewegung des Wagens betätigen, um an den Stopfen für die Ölversorgung zu gelangen).

Nach 25.000 Schnitten und/oder mindestens ein Mal jährlich durch einen zugelassenen Vertreter:

Den Stecker aus der Steckdose ziehen;

Den Filz des Schiebers ersetzen.

8.3 Austausch der Messer (vor A, B, C, D, E, F)

(Fig. 8)

Beim Austausch der Messer oder bei Arbeiten in der Umgebung der Messer müssen Schnittschutzhandschuhe (Norm EN 388: 2003, Index B = 5) sowie Sicherheitsschuhe getragen werden.

Sich zunächst vergewissern, dass der Netzstecker gezogen ist.

Bei Maschinen, die mit einer vorderen und hinteren Abdeckung versehen sind (MRC – MRC ETL), die vordere Abdeckung über die vier Schrauben abnehmen (Fig. 7).

- A. Das hintere Blech der Maschine über die vier Schrauben abmontieren.
- B. Die beiden Schrauben vom hinteren Tisch lösen und ihn nach hinten schieben, um den vorderen Tisch freizubekommen.
- C. Die Brotablage über das Drehrad rechts und das Drehrad rechts abschrauben sowie die beiden Schrauben der Abdeckung lösen.
- D. Die Abdeckung öffnen. Die vier Schrauben des vorderen Tisches lösen und den Tisch herausziehen.
- E. Lösen Sie die Schraube **A** auf der linken Seite innen, mit der das Gestänge vorne am Rahmen befestigt ist.
- F. Rahmen nach vorne umklappen. Tauschen Sie die Messer am hinteren Rahmen aus (Messer vorne am Rahmen zum Schutz abdecken). Lösen Sie die Gegenmuttern mit den Schrauben **B** (MRF – MRM – MRQ). Lösen Sie die Innensechskantschrauben **B**, mit denen die Messer gespannt werden. Messer austauschen und dabei darauf achten, dass sie richtig auf dem Führungszapfen der Ausleger sitzen. Messer durch Anziehen der Schrauben **B** wieder einspannen, ungefähr so fest wie die Messer, die noch im Rahmen sind. Anschließend Muttern anziehen (Maschinen mit Schmiersystem).

Um den Rahmen nicht zu verformen und um zu verhindern, dass es zu gefährlichen Schäden kommt, nur ein bis drei Messer auf ein Mal und abwechselnd von links nach rechts austauschen.

Für den vorderen Rahmen das Verfahren ab Punkt E wiederholen und den vorderen Rahmen und die Verkleidungselemente wieder einsetzen.

Die Maschine mit dem Stromnetz verbinden. Die Maschine ist betriebsbereit.

Hier bitte sicherstellen, dass Ihr zugelassener Vertreter diese Maßnahmen im Wartungsheft festhält, um Ihren Garantieanspruch von fünf Jahren zu erhalten.

9 ERSATZTEILE

Um Ersatzteile für Ihre Maschine zu bestellen, lassen Sie von Ihrem Vertreter anhand des Ersatzteilkatalogs des Herstellers prüfen, um welche Teile es sich genau handelt. Dazu immer die Maschinenummer übermitteln, die auf dem Typenschild steht. Ihr Vertreter bestellt das Ersatzteil dann bei JAC.

9.1 ERSATZTEILLISTE

ARTIKELCODE	BEZEICHNUNG	MODELL
7240031	RIEMEN A 31	ALLE
5690010	GLEITSCHUH 100 MM	ALLE
5740162	GESTÄNGE VORDERRAHMEN	ALLE
6110001	JAC-MESSER 13 MM/0,5 MM	PICOMATIC 450
6110011	JAC-MESSER 13 MM/0,5 MM + TEFLON	PICOMATIC 450M
5310026	FEDER BROTPRESSE KUNSTSTOFFRING	PICOMATIC 450
5310030	FEDER BROTPRESSE EDELSTAHLRING	PICOMATIC 450M
5690151	GLEITSCHUH BROTPRESSE	ALLE
6530002	REFLEKTORBAND PHOTOELEKTRISCHE ZELLE	ALLE
5690102	JAC FLAPS	ALLE
6120002	FILZ SCHIEBER	PICOMATIC 450M
BMJL001 BMJL002	JACFIX FEDER	ALLE

Problem	Fehlersuche
Die Maschine funktioniert nicht.	Die Maschine über das Kabel anschließen (Fig. 1, Nr. 14).
	Den Not-Aus entriegeln (Fig. 1, Nr. 5)
	Die Schneidkammertür schließen.
	Die Tür schließen.
Die Maschine funktioniert, das Brot wird jedoch zerdrückt oder ungleichmäßig geschnitten.	Möglicherweise müssen die Messer ausgetauscht werden (Fig. 7, 8)
	Lassen Sie das Brot einige Stunden lang abkühlen.
	Schneiden Sie nur Brote passender Größe.
	Schneiden Sie nur ausreichend feste Brote.
Das Brot vibriert zwischen den Messern.	Wenn die Messer nicht ausgerichtet sind, die Messer und Rahmen einstellen.
	Wenn die Messer nicht ausgerichtet sind, die Messer und Rahmen einstellen.
Das Brot wird zu langsam geschnitten.	Möglicherweise müssen die Messer ausgetauscht werden (Fig. 7, 8)
	Überprüfen, ob die Federn der Brotpresse richtig platziert sind (Fig. 10, Nr. 32)
Das Brot wird zerrissen.	Wenn die Messer nicht ausgerichtet sind, die Messer und Rahmen einstellen.
	Überprüfen, ob die Federn der Brotpresse richtig platziert sind (Fig. 10, Nr. 32)
Das Brot wird nur sehr langsam ausgegeben oder bleibt im Bereich der Messer stecken.	Überprüfen, ob die Federn der Brotpresse richtig platziert sind (Fig. 10, Nr. 32)
Das Brot wird am Ende der Messer zusammengedrückt.	Eine Brotpressenfeder entfernen und den Test beginnen (Fig. 10, Nr. 32)

VORSICHT: Vor allen Eingriffen an der Maschine ist die Maschine zwingend von der Stromversorgung zu trennen.



Bei Anhalten des Problems wenden Sie sich bitte an Ihren Servicetechniker.

11 FEHLERCODES

11.1 Maschinen mit Bildschirm (MRK – MRK ETL – MRF – MRL – MRL ETL – MRM – MRC)

Anzeige auf dem Bildschirm	Fehlerbeschreibung	Fehlerbehebung
STOP! PHOTOELEKTRISCHE Zelle ÜBERPRÜFEN	Lichtstrahl der photoelektrischen Zelle (S5) unterbrochen	Neustart der Maschine durch Drücken des Not-Aus-Schalters (Abb. 1 Nr. 5). Bei Anhalten des Problems wenden Sie sich bitte an Ihren Servicetechniker.
ANHALTEN SCHUBLADE OFFEN SCHUBLADE SCHLIESSEN.	Krümelfach (S7) offen	
ANHALTEN ÜBERHITZUNG MOTOR WARTEN!!!	Die Thermosicherung des Schneidmotors (F3) hat ausgelöst	
START DRÜCKEN, UM DIE MASCHINE NEU ZU POSITIONIEREN.	Der Brotschieber befindet sich nicht in der Ausgangsposition (S1).	
ABDECKUNG OFFEN ABDECKUNG SCHLIESSEN.	Sicherheitsabdeckung offen (S6)	
TANK NACHFÜLLEN SCHNEIDÖL	Es fehlt Öl für den Brotschieber	
NOCH 0 SCHNITTE VORN AUSTAUSCH DER MESSER	Die Messer müssen ausgetauscht werden.	



Bei Anhalten des Problems wenden Sie sich bitte an Ihren Servicetechniker.

12 LISTE DER ABGEBILDETEN TEILE UND FUNKTIONEN

Abbildung	Nummer	Bezeichnung
1	1	Abdeckung hinten
	2	Brotablage
	3	Brotschieber
	4	Abdeckung
	5	Not-Aus-Schalter
	6	Brotpresse
	7	Vorderer Tisch
	8	Rollensockel (Option)
	9	Blockierte Rollen
	10	Sicherheitsschalter Abdeckung hinten
	11	Drehrad
	12	hinterer Tisch
	13	Blech hinten
	14	Netzkabel
2	15	Photoelektrische Zellen (Option)
	16	Digitale Anzeige (MRK – MRK ETL – MRF – MRL – MRL ETL – MRM – MRC)
	17	Abdeckung vorne (Option)
	18	Sicherheitsschalter Abdeckung vorne
3	19	Arbeitsbereich
4	20	Montageschraube rollbarer Sockel
	21	Silentbloc rollbarer Sockel
	22	Anziehmutter rollbarer Sockel
6	23	digitaler Bildschirm
	24	Einschalten der Anzeige (MRK – MRK ETL – MRF – MRL – MRL ETL – MRM – MRC)
	25	Programmiertaste (MRK – MRK ETL – MRF – MRL – MRL ETL – MRM – MRC) (nur für Techniker)
	26	Ausschalten der Anzeige (MRK – MRK ETL – MRF – MRL – MRL ETL – MRM – MRC)
	27	Zurücksetzen des Ölstands (MRM – MRF)
9	28	Hinweis „Gefahr wegen mechanischer Teile“
	29	Hinweis „Schneidegefahr“
	30	Schaltplan
	31	Hinweis „Gefahr eines Stromschlags“
10	32	abnehmbare Brotpressenfeder
	33	einstellbarer Anschlag der Brotablage

1	VÓÓR DE INBEDRIJFSTELLING	48
2	GARANTIE	48
3	WAARSCHUWINGEN	49
4	TECHNISCHE EIGENSCHAPPEN	50
4.1	<i>Technische eigenschappen</i>	<i>50</i>
4.2	<i>Materiaal dat rechtstreeks in contact komt met het brood.</i>	<i>51</i>
5	INSTALLATIE EN INBEDRIJFSTELLING	51
5.1	<i>De machine uit de verpakking halen:</i>	<i>51</i>
5.2	<i>Plaatsing:</i>	<i>52</i>
5.3	<i>Elektrische aansluiting:</i>	<i>52</i>
5.4	<i>Inbedrijfstelling:</i>	<i>53</i>
5.5	<i>Gevaar:</i>	<i>53</i>
6	BEDIENINGS- EN VEILIGHEIDSPANEEL	53
6.1	<i>Bedieningspaneel:</i>	<i>53</i>
6.2	<i>Werkzone:</i>	<i>53</i>
6.3	<i>Veiligheidsvoorzieningen:</i>	<i>53</i>
7	GEbruIK	54
8	ONDERHOUD	55
8.1	<i>Dagelijks door een opgeleide gebruiker.</i>	<i>55</i>
8.2	<i>Om de 25.000 snij-acties en/of minimaal één keer per jaar door een erkende verdeler.</i>	<i>55</i>
8.3	<i>Vervanging van de bladen</i>	<i>56</i>
9	VERBRUIKSGOEDEREN	56
9.1	<i>Lijst met VERBRUIKSGOEDEREN</i>	<i>57</i>
10	STORINGEN	58
11	FOUTCODES	59
11.1	<i>Machines uitgerust met een scherm (MRK – MRK ETL – MRF – MRL – MRL ETL – MRM – MRC)</i>	<i>59</i>
12	LIJST MET ONDERDELEN OP DE AFBEELDINGEN	60

1 VÓÓR DE INBEDRIJFSTELLING

Bedankt dat u hebt gekozen voor een JAC-oplossing. Neem deze gebruikershandleiding grondig door voordat u deze machine installeert en in werking stelt. Zo kunt u uzelf beschermen en schade aan uw machine vermijden.

Deze handleiding verwijst naar diverse afbeeldingen zodat u de instructies beter kunt begrijpen. Deze afbeeldingen bevinden zich op het einde van de handleiding. Raadpleeg ze wanneer u de volgende symbolen tegenkomt (fig.X, n°Y).

Om nog jarenlang van uw machine te kunnen genieten, raden we u aan om de volgende adviezen na te leven:

- Doe een beroep op uw erkende verdeler voor de installatie, inbedrijfstelling en opvolging.
- Om te kunnen genieten van de garantie van vijf jaar (zie verder voor de voorwaarden), moet u bij de installatie van uw machine het onderhoudsboekje laten invullen door uw verdeler. Dit onderhoudsboekje bevindt zich aan de achterkant van uw machine.

2 GARANTIE



JAC biedt een garantie van vijf jaar op al zijn producten.

Deze garantie is geldig voor alle onderdelen van uw machine, waaronder de elektronische onderdelen, maar uitgezonderd de verbruiksgoederen. De garantie treedt in werking op de installatiedatum van het materiaal.

Onder de volgende beperkende voorwaarden:

- Het materiaal moet bij een erkende verdeler zijn aangekocht.
- De installatie moet door een erkende verdeler zijn uitgevoerd.
- Het materiaal moet worden gebruikt in overeenstemming met de aanwijzingen in de gebruikershandleiding en voor het doel waarvoor het werd geproduceerd.
- Het materiaal moet dagelijks worden onderhouden in overeenstemming met de aanwijzingen in de gebruikershandleiding.
- Ten minste één keer per jaar moet onderhoud worden uitgevoerd door de erkende verdeler en dit in overeenstemming met de onderhoudsspecificaties (onderhoud ten laste van de gebruiker).
- Alleen originele JAC-onderdelen mogen worden gebruikt.



Als er geen onderhoud wordt uitgevoerd door een erkende verdeler en/of het onderhoudsboekje niet correct wordt ingevuld, is de garantie beperkt tot één jaar.

Het volgende valt niet onder deze garantie:

- De vervanging van verbruiksgoederen (§9).
- Defecte stukken die door onze diensten niet worden erkend.
- Problemen ten gevolge van een abnormaal gebruik van het materiaal.
- Problemen doordat de installatie niet door een erkende verdeler is uitgevoerd.
- De onderdelen of problemen die het gevolg zijn van transportschade of een ongepaste behandeling.

Een reparatie en/of een vervanging van defecte onderdelen tijdens de garantieperiode verlengt deze garantie niet.

3 WAARSCHUWINGEN

Het is heel belangrijk dat deze gebruikershandleiding bij het apparaat wordt bewaard zodat ze later kan worden geraadpleegd. Als dit apparaat wordt verkocht of aan een andere persoon wordt overgedragen, zorg er dan voor dat de gebruikershandleiding wordt overhandigd zodat de gebruiker op de hoogte is van de werking ervan en van de daarin vermelde waarschuwingen.



Deze waarschuwingen worden gegeven voor uw veiligheid en die van anderen. We vragen u dan ook ze aandachtig te lezen vooraleer u het apparaat installeert en gebruikt.

Deze machine werd ontworpen om door bevoegde volwassenen te worden gebruikt. Zorg er dus voor dat kinderen de machine niet aanraken en niet als speelgoed beschouwen.

Deze machine is uitsluitend voorbehouden voor professioneel gebruik.

Het is gevaarlijk om de eigenschappen van deze machine te wijzigen of te proberen wijzigen.

Zorg er na de installatie van deze machine voor dat ze niet op het netsnoer staat.

Volg de meegeleverde gebruiksinstructies.

Deze machine moet worden bewaard en gebruikt in een ruimte die niet vochtig of warm wordt.

Deze machine moet voldoende verlicht zijn om het werk uit te voeren.

Deze machine heeft een geluidsniveau van minder dan 70 dB(A) conform de norm EN ISO 3744.

Deze machine mag slechts door één persoon tegelijkertijd worden gebruikt (behoudens tegengestelde instructie).

Deze machine is bedoeld voor het snijden van gebakken en lauw brood.



Deze machine is niet bedoeld voor het volgende brood en materiaal:

- Warm brood, oud brood
- Bevroren of half ontdooid brood
- Volkorenbrood met harde korst en andere soorten brood met een harde korst
- Roggebrood
- Niet-eetbare producten zoals hout, plastic en soortgelijk materiaal
- Elk voedingsmiddel dat niet hoort tot de categorie brood of cake

De machine kan beschadigd raken als niet toegestaan brood of materiaal wordt gesneden.



Haal altijd de stekker uit het stopcontact vooraleer u de buiten- of binnenkant van het apparaat schoonmaakt of onderhoud uitvoert.

Dit apparaat is zwaar. Neem alle veiligheidsmaatregelen tijdens het onderhoud.

4 TECHNISCHE EIGENSCHAPPEN

4.1 Technische eigenschappen

	PICOMATIC 450	PICOMATIC 450 M
Hoogte (mm)	722	722
Hoogte met klep (mm)	880	880
Hoogte met sokkel (mm)	1346	1346
Hoogte met sokkel en klep (mm)	1500	1500
Breedte (mm)	607	607
Diepte (mm)	682	682
Lengte van het toevoerkanaal (mm)	300	290
Breedte van het toevoerkanaal (mm)	440	440
Hoogte van het toevoerkanaal (mm)	180	180
Verpakking (mm)	800 x 860 x 800	800 x 860 x 800
Nettogewicht (kg)	105	115
Nettogewicht + verpakking (kg)	125	135
Motorvermogen (kW)	0,49	1,5
Motortype	Eenfasig of driefasig	driefasig
220 V - 50 Hz (A)	5	
380 V - 50 Hz (A)	3,2	3,2
Capaciteit (broden/uur)	200<500	200<500
Geluidsniveau (dB)	<75	<75

Versterkte motor	optie
Digitaal scherm	optie
Sokkel met wielje	optie
Veiligheidsklep vooraan	optie
Dubbele snijbreedte	optie
Speciale kleur	optie
Speciale messen	optie
Cellen	optie

4.2 Materiaal dat rechtstreeks in contact komt met het brood.

Toevoerband: INOX 430

Broodduwer: INOX 430

Broodpers: INOX 430

Bladen: Staal

Afvoerband: INOX 430

Broodplank: INOX 430

5 **INSTALLATIE EN INBEDRIJFSTELLING**

5.1 De machine uit de verpakking halen:

De machines worden uit onze ateliers op pallets, verankerd en met karton beschermd geleverd. U moet eerst en vooral de verpakking bekijken en elke transportschade onmiddellijk aan de koerier melden.

- A. Verwijder het karton en de verpakkingzak van de machine.
- B. Verwijder de riemen en let daarbij met name op de terugslag wanneer ze worden doorgesneden.
- C. Maak de machine los van de pallet door de houten latten te verwijderen die de wieltjes blokkeren.
- D. Haal de machine van de pallet. Doe dit met minstens twee personen zodat de machine niet met een harde schok op de grond terecht komt.
- E. Installeer de verstelbare aanslag van de broodplank op de broodplank (fig.10, n°33).

Na het uitpakken van uw machine moet u nakijken of ze tijdens het transport geen schade heeft opgelopen. Meld ons elke afwijking.

Als u machine met een sokkel wordt geleverd (optie):

- A. Monteer de geleverde wieltjes op de sokkel en let er daarbij op dat u de wieltjes met een rem vooraan monteert.
- B. Plaats met minstens twee mensen de machine op de sokkel.
- C. Haal de kruimelbak van de machine weg.
- D. Voeg de meegeleverde silentblocs tussen de machine en de sokkel (fig.4, n°21).
- E. Steek via de binnenkant van de machine de meegeleverde schroeven (fig.4, n°20) en sluitingen in de daartoe voorziene gaten in het chassis van de machine.
- F. Plaats de schroeven door de machine, de silentblocs en de sokkel en draai het geheel vast met de meegeleverde moeren (fig.4, n°22).

5.2 Plaatsing:

Voor uitstekende prestaties en betrouwbaarheid op lange termijn moet u een plaats kiezen die:

Goed verlucht is, niet blootgesteld is aan direct zonlicht en uit de buurt is van warmtebronnen, met een stevig en trillingsvrij oppervlak.

5.3 Elektrische aansluiting:

BELANGRIJK: Verplichte aarding.

Er wordt aangeraden om de installatie te beveiligen met een zekering en differentieelschakelaar.

Uw elektriciteitsinstallatie die stroom levert aan de machine moet als volgt worden beveiligd:

- Noord-Amerika: Beveiliging 15 A
- Rest van de wereld: Beveiliging 16 A

Machines die uitgerust zijn met een regelaar moeten worden aangesloten op een aftakdoos op een lijn die uitgerust is met een differentieelschakelaar van 300 mA.

Opmerking: Elk probleem dat te wijten is aan een andere soort aansluiting wordt niet gedekt door de garantie.

Voordat u uw machine op het net aansluit en om een storing van de motor bij het onder spanning zetten te vermijden, is het belangrijk dat u controleert of het elektriciteitsnet overeenstemt met de eigenschappen van de machine (zie het identificatieplaatje).

Dit apparaat is conform de machinerichtlijnen 2006/42, 2014/35, 2014/30 en draagt de CE-markering die van deze conformiteit getuigt

Houd rekening met de veiligheidspictogrammen op de machine:



Pictogram dat wijst op een mogelijke stroomonderbreking. Dat vindt u aan de voorkant van de machine in de zone waar het brood wordt geplaatst (fig.9, n°29).

U vindt het elektrische schema van de machine op de achterkant van de deur van de schakelkast (fig.9, n°30).



Pictogram dat wijst op gevaar voor elektrocutie. Trek de machine vóór elke interventie uit het stopcontact. Deze is terug te vinden aan de achterkant van de machine in de buurt van het netsnoer en binnenin de machine op de schakelkast (fig.9, n°31).



Pictogram dat wijst op een risico op contact met het bewegende mechanisme. U vindt het bij de kruimelbak (fig.9, n°28).

5.4 Inbedrijfstelling:

Zorg er vóór de inbedrijfstelling voor dat er zich geen enkel storend voorwerp bevindt op de bewegende onderdelen van de machine.

Raadpleeg het hoofdstuk "Gebruik" voor informatie over het gebruik van de machine.

5.5 Gevaar:

Als er gevaar is voor de gebruiker of voor de machine, moet u de hoofdschakelaar gebruiken om de stroomtoevoer naar de machine te onderbreken.

Haal de stekker uit het stopcontact vooraleer u onderhoud uitvoert.
Raak het blad niet aan, ook niet als het stilstaat.

Het blad mag alleen worden vervangen door uw erkende verdeler.

Draag altijd snijbestendige veiligheidshandschoenen tijdens de vervanging van het blad of tijdens een handeling in de buurt van het blad.

Elk onderhoud of vervanging van een onderdeel moet door een bevoegde persoon worden uitgevoerd.

6 BEDIENINGS- EN VEILIGHEIDSPANEEL

6.1 Bedieningspaneel:

Uw snijmachine is standaard uitgerust met een noodstopknop (fig.1, n°5).

Bepaalde machines zijn uitgerust met een digitaal scherm (fig.6) (MRK – MRK ETL – MRF – MRL – MRL ETL – MRM – MRC) waarmee u de volgende zaken kunt doen:

- Het scherm van de machine inschakelen (fig.6, n°24).
- Het scherm van de machine uitschakelen (fig.6, n°26).
- De snijtellet op nul zetten voor de uitgeruste machines door gelijktijdig gedurende vijf seconden op de twee knoppen onder het ISC-logo te drukken (fig.6, n°25).
- De olieteller op nul zetten (MRF – MRM) (fig.6, n°27).
- De verschillende instellingen van de machine programmeren (voorbehouden aan een erkende verdeler) (fig.6, n°25).

Dit scherm geeft de volgende zaken weer:

- Het aantal uitgevoerde snij-acties
- Of de bladen moeten worden vervangen
- Of een beveiliging is ingeschakeld

6.2 Werkzone:

De werkzone bevindt zich voor de machine (fig.3, n°19).

6.3 Veiligheidsvoorzieningen:

Als uw machine ermee is uitgerust, wordt de machine gestart door de klep te sluiten. Als deze wordt geopend, stopt de machine (fig.1, n°1) (MRZ – MRP – MRK – MRK ETL – MRF – MRP – MRQ).

Deze machine is uitgerust met:

Een veiligheidsschakelaar (fig.1, n°10) die verhindert dat de machine werkt wanneer de klep achteraan (fig.1, n°10) (MRZ – MRP – MRK – MRK ETL – MRF – MRP – MRQ – MRR – MRC – MRC ETL) geopend is.

Een veiligheidsschakelaar (fig.2, n°18) die verhindert dat de machine werkt wanneer de klep vooraan (fig.2, n°17) (optie) (MRC – MRC ETL - MRR) geopend is.

Een fotoelektrische cel (fig.2, n°15) die de werking van de machine verhindert wanneer de straal wordt geblokkeerd (optie) (MRL – MRL ETL – MRM).

7 GEBRUIK

Voor het gebruik moeten de met een rem uitgeruste wielen worden vastgezet (fig.1, n°8) (optie), als uw machine uitgerust is met een sokkel (fig.1, n°9).

Zet de machine in het begin van de dag onder spanning met de noodstop (fig.1, n°5).

Voor de machines die uitgerust zijn met een digitaal scherm (fig.6) (MRK – MRK ETL – MRF – MRL – MRL ETL – MRM – MRC), druk op de groene startknop (fig.6, n°24).

Gebruiksprocedure (fig.5)

- A. Plaats uw brood op de plank achteraan, tussen de bladen en het mobiele deel.
- B. Sluit de klep achteraan (MRZ – MRP – MRK – MRK ETL – MRF – MRP – MRQ – MRR – MRC – MRC ETL) zodat de machine van start gaat. Als de machine uitgerust is met fotoelektrische cellen (optie) (MRL – MRL ETL – MRM), druk dan op de groene knop (fig.6, n°24) om het snijproces te starten.
- C. Zodra het snijproces voltooid is, haalt u het gesneden brood op aan de voorkant van de machine. De klep achteraan wordt geopend (MRZ – MRP – MRK – MRK ETL – MRF – MRP – MRQ – MRR). Als de machine uitgerust is met een klep vooraan, open deze voordat u het brood wegneemt (optie) (MRC – MRC ETL - MRR). Als uw machine uitgerust is met een JACFIX (optie), kan dit systeem het brood na het snijden vasthouden. Haal het brood naar boven om het uit de JACFIX te halen.

Voor de machines die uitgerust zijn met een digitaal scherm (MRK – MRK ETL – MRF – MRL – MRL ETL – MRM – MRC – MRC ETL), druk op het einde van de dag op de gele veiligheidsknop die de machine uitschakelt (fig.6, n°26). Druk op de rode **noodstopknop (fig.1, n°5)** om de machine uit te schakelen.

Advies: Laat na de eerste werkdagen de spanning van de bladen nakijken door een bevoegd persoon.

Capaciteit: Aantal gesneden broden per dag: 6000 (afhankelijk van het broodtype).

Afmetingen van het brood (b x l x h) (cm):

MRZ – MRP – MRK – MRK ETL – MRQ - MRL – MRL ETL – MRR – MRC – MRC ETL

min. 12 x 6 x 6 - max. 44 x 30 x 18

MRM – MRF – MRR - MRQ

min. 12 x 6 x 6 - max. 44 x 29 x 18



Veiligheid:

Als u de veiligheidsklep achteraan opent (fig.1, n°1), verhindert dit de werking van de machine (MRZ – MRP – MRK – MRK ETL – MRF – MRZ – MRP – MRQ – MRR – MRC – MRC ETL).

Als u de veiligheidsklep vooraan opent (fig.2, n°17), verhindert dit de werking van de machine (MRC - MRC ETL – MRR).

Als u voor fotoelektrische cellen komt (fig.2, n°15), dan verhindert dit de werking van de machine (MRL – MRL ETL – MRM).

De activering van een beveiliging wordt aangegeven door een bericht op het scherm (fig.6, n°23) (MRK – MRK ETL – MRF – MRL – MRL ETL – MRM – MRC).

8 ONDERHOUD

8.1 Dagelijks door een opgeleide gebruiker.

- A. Controleer of u de kruimelbak niet moet leegmaken.
- B. Maak de planken met een borstel schoon.
- C. Gebruik een droge doek om de binnenkant schoon te maken.
- D. Gebruik een vochtige doek om de buitenkant schoon te maken.

8.2 Om de 25.000 snij-acties en/of minimaal één keer per jaar door een erkende verdeler.

Haal de stekker uit het stopcontact.

Controleer de staat van de snijbladen.

Als de snijkwaliteit daalt, vervang dan de snijbladen (JAC-referentie: 610011, 6110001 in de reserveonderdelencatalogus van JAC)

Als ze moeten worden vervangen, vervang de bladen dan conform de vervangingsprocedure voor snijbladen.

NB: Span de bladen niet overmatig, dit kan de kaders vervormen.

Maak schoon met een borstel en stofzuig de binnenkant van de machine.

Controleer de staat van de lagers en smeer ze.

Smeer de vijzelgewrichten.

Controleer goed of uw erkende verdeler zijn interventie in uw onderhoudsboekje heeft genoteerd zodat u uw garantie van vijf jaar behoudt.

Onderhoud voor de modellen met smering

**De te gebruiken olie is: 7940019 (zoals vermeld in de JAC-catalogus voor "reserveonderdelen")
Of een vloeibare plantaardige consumptieolie met natuurlijke antioxidant**

Om de 1000 snij-acties of elke twee weken, door een opgeleide gebruiker:

Voeg de dosis consumptieolie (100 tot 150 ml) die nodig is om de vilten van het WAGENTJE te drenken (druk op de knop om het wagentje vooruit te laten gaan zodat u toegang hebt tot de knop om olie toe te voegen).

Om de 25.000 snij-acties en/of minimaal één keer per jaar door een erkende verdeler:

Haal de stekker uit het stopcontact.

Vervang de vilten van de duwer.

8.3 Vervanging van de bladen (voor A B C D E F)

(fig.8).

Draag altijd snijbestendige veiligheidshandschoenen (norm EN 388: 2003 index B= 5) en veiligheidsschoenen tijdens de vervanging van het blad of tijdens een handeling in de buurt van het blad.

Wees er zeker van dat de stekker van uw machine uit het stopcontact is getrokken.

Voor de machines die uitgerust zijn met een klep vooraan en achteraan (MRC – MRC ETL), demonteer de klep vooraan met behulp van de vier schroeven die hem op mijn plaats houden (fig.7).

- A. Demonteer de plaat aan de achterkant van de machine met behulp van de vier schroeven.
- B. Draai de twee schroeven van de plank achteraan los en schuif deze naar de achterkant van de machine zodat de plank vooraan vrijkomt.
- C. Schroef de broodplank los met het linkerstelwiel, schroef het rechterstelwiel los en draai de twee schroeven van de kap los.
- D. Open de kap. Draai de vier schroeven van de plank vooraan los en haal de plank weg.
- E. Draai binnenin links schroef **A** los die de verbindingstang op het kader vooraan bevestigt.
- F. Haal het kader naar voren. Vervang de bladen van het kader achteraan (plaats iets om u te beschermen tegen de bladen van het kader vooraan). Draai de contraoeren los die op de schroeven **B** (MRF – MRM – MRQ). Draai schroeven **B** met holle binnenzeskant los die de bladen spannen. Vervang de bladen en ga daarbij na of ze goed worden geplaatst in de stift van de persen. Span de bladen opnieuw aan door schroeven **B**, waarbij de bladen op het kader blijven als merkteken voor de spanning. Draai vervolgens de moeren vast (machine uitgerust met smeringoptie).

Om het kader niet te vervormen en geen risico op gevaarlijke breuken te lopen, mag u slechts 1 tot 3 bladen tegelijkertijd vervangen en moet u links en rechts afwisselen.

Herbegin de procedure vanaf punt E voor het kader vooraan en plaats het kader vooraan evenals de afwerkingselementen terug op hun plaats.

Steek de stekker van uw machine in het stopcontact. De machine is klaar.

Controleer goed of uw erkende verdeler zijn interventie in uw onderhoudsboekje heeft genoteerd zodat u uw garantie van vijf jaar behoudt.

9 VERBRUIKSGOEDEREN

Ga bij de bestelling van een reserveonderdeel met uw verdeler na om welk stuk het gaat op basis van de reserveonderdelencatalogus van de fabrikant.

Geef altijd het machinenummer op zoals vermeld op het identificatieplaatje.

Uw verdeler voert de bestellingen uit bij JAC.

9.1 Lijst met VERBRUIKSGOEDEREN

ARTIKELCODE	OMSCHRIJVING	MODEL
7240031	RIEM A 31	ALLE
5690010	SCHUIFGLIDDERS 100 MM	ALLE
5740162	VERBINDINGSSTANG VAN KADER	ALLE
6110001	JAC-MES 13 MM/0,5 MM	PICOMATIC 450
6110011	JAC-MES 13 MM/0,5 MM + TEFLON	PICOMATIC 450M
5310026	VEER BROODPERS PLASTIC RING	PICOMATIC 450
5310030	VEER BROODPERS INOX RING	PICOMATIC 450M
5690151	GLIJDER BROODPERS	ALLE
6530002	REFLECTERENDE BAND FOTOLEKTRISCHE CEL	ALLE
5690102	JAC-FLAPS	ALLE
6120002	VILTDUWER	PICOMATIC 450M
BMJL001 BMJL002	VEER JACFIX	ALLE

Probleem	Controle
De machine werkt niet	Sluit de machine met een kabel op het stopcontact aan (fig.1, n°14).
	Ontgrendel de noodstop (fig.1, n°5).
	Sluit de klep.
	Sluit de deur.
De machine werkt maar het brood wordt beschadigd of onregelmatig gesneden	Controleer of de bladen niet moeten worden vervangen (fig.7,8).
	Laat het brood enkele uren afkoelen.
	Plaats brood met toegelaten afmetingen.
	Plaats een redelijk stevig brood.
	Als de bladen niet goed zijn uitgelijnd, stel dan de bladen en kaders af.
Het brood trilt in de bladen	Als de bladen niet goed zijn uitgelijnd, stel dan de bladen en kaders af.
Het brood wordt te traag gesneden	Controleer of de bladen niet moeten worden vervangen (fig.7,8).
	Controleer of de veren van de broodpers goed op hun plaats zitten (fig.10, n°32).
Het brood wordt stukgescheurd	Als de bladen niet goed zijn uitgelijnd, stel dan de bladen en kaders af.
	Controleer of de veren van de broodpers goed op hun plaats zitten (fig.10, n°32).
Het brood komt traag naar buiten of blijft in de bladen	Controleer of de veren van de broodpers goed op hun plaats zitten (fig.10, n°32).
Het brood wordt bij het verlaten van de bladen verpletterd	Neem een veer van de broodpers weg en herbegint uw test (fig.10, n°32).

OPGELET: Bij elke tussenkomst moet de machine verplicht worden uitgeschakeld.



Als het probleem zich blijft voordoen, neem dan contact op met uw technicus.

11 FOUTCODES

11.1 Machines uitgerust met een scherm (MRK – MRK ETL – MRF – MRL – MRL ETL – MRM – MRC)

Bericht weergegeven op het scherm	Beschrijving van het probleem	Actie
STOP! FOTOLEKTRISCHE CEL CONTROLLEREN	Straal van de fotoelektrische cel (S5) geblokkeerd	Start de machine opnieuw op met behulp van de noodstop (fig.1 n°5). Als het probleem zich blijft voordoen, neem dan contact op met uw technicus.
STOP SCHUIF OPEN SLUIT DE SCHUIF	Kruimelbak (S7) open	
STOP OVERVERHITTE MOTOR WACHTEN!!!	Zekering van de bladmotor (F3) ingeschakeld	
DRUK OP START OM DE MACHINE OPNIEUW TE POSITIONEREN	Broodduwer niet in beginpositie (S1)	
KLEP OPEN SLUIT KLEP	Veiligheidsklep open (S6)	
VUL HET OLIERESERVOIR VOOR HET SNIJDEN	Voeg de nodige olie toe in de broodduwer	
O SNIJACTIES OVER ALVORENS VERVANGING VAN DE BLADEN	De messen moeten worden vervangen.	



Als het probleem zich blijft voordoen, neem dan contact op met uw technicus.

12 LIJST MET ONDERDELEN OP DE AFBEELDINGEN

Afbeelding	Nummer	Naam
1	1	Klep achteraan
	2	Broodplank
	3	Broodduwer
	4	Kap
	5	Noodstopknop
	6	Broodpers
	7	Plank vooraan
	8	Sokkel met zwenkwielen (optie)
	9	Wieltjes met rem
	10	Noodschakelaar van klep achteraan
	11	Afstelwiel
	12	Plank achteraan
	13	Plaat achteraan
	14	Netsnoer
2	15	Fotoelektrische cellen (optie)
	16	Digitaal scherm (MRK – MRK ETL – MRF – MRL – MRL ETL – MRM – MRC)
	17	Klep vooraan (optie)
	18	Noodschakelaar van klep vooraan
3	19	Werkzone
4	20	Monteerschroef van sokkel met zwenkwielen
	21	Silentbloc van sokkel met zwenkwielen
	22	Klemschroef van sokkel met zwenkwielen
6	23	Digitaal scherm
	24	Scherminschakelen (MRK – MRK ETL – MRF – MRL – MRL ETL – MRM – MRC)
	25	Programmeringstoets (MRK – MRK ETL – MRF – MRL – MRL ETL – MRM – MRC) (voorbehouden aan een technicus)
	26	Scherminschakelen (MRK – MRK ETL – MRF – MRL – MRL ETL – MRM – MRC)
	27	Op nul zetten van het toevoegen van olie (MRM – MRF)
9	28	Plaatje "mechanisch risico"
	29	Plaatje "gevaar voor stroomonderbreking"
	30	Elektrisch schema
	31	Plaatje "gevaar voor elektrocutie"
10	32	Veer van de afneembare broodpers
	33	Verstelbare aanslag van de broodplank

1	ПЕРЕД ВВОДОМ В ЭКСПЛУАТАЦИЮ	62
2	ГАРАНТИЯ	62
3	ПРЕДУПРЕЖДЕНИЯ	63
4	ТЕХНИЧЕСКИЕ ХАРАКТЕРИСТИКИ	64
4.1	<i>Технические характеристики</i>	<i>64</i>
4.2	<i>Подробности о материалах, находящихся в непосредственном контакте с хлебом</i>	<i>65</i>
5	УСТАНОВКА И ВВОД В ЭКСПЛУАТАЦИЮ	65
5.1	<i>Распаковка машины</i>	<i>65</i>
5.2	<i>Место установки</i>	<i>66</i>
5.3	<i>Электрическое подключение</i>	<i>66</i>
5.4	<i>Ввод в эксплуатацию</i>	<i>67</i>
5.5	<i>Опасность</i>	<i>67</i>
6	ОРГАНЫ УПРАВЛЕНИЯ И ПРЕДОХРАНИТЕЛЬНЫЕ УСТРОЙСТВА	67
6.1	<i>Органы управления</i>	<i>67</i>
6.2	<i>Рабочая зона</i>	<i>68</i>
6.3	<i>Предохранительные устройства</i>	<i>68</i>
7	ЭКСПЛУАТАЦИЯ	68
8	ТЕХНИЧЕСКОЕ ОБСЛУЖИВАНИЕ	69
8.1	<i>Ежедневное, выполняется пользователем, прошедшим подготовку.</i>	<i>69</i>
8.2	<i>Через каждые 25 000 нарезок и/или не реже 1 раза в год; выполняется аккредитованным специалистом.</i>	<i>69</i>
8.3	<i>Замена ножей</i>	<i>70</i>
9	РАСХОДНЫЕ МАТЕРИАЛЫ	71
9.1	<i>Список РАСХОДНЫХ МАТЕРИАЛОВ</i>	<i>71</i>
10	НЕПОЛАДКИ В РАБОТЕ	72
11	КОДЫ ОШИБОК	73
11.1	<i>Машины, оборудованные экраном (MRK — MRK ETL — MRF — MRL — MRL ETL — MRM — MRC) 73</i>	
12	СПИСОК КОМПЛЕКТУЮЩИХ НА ИЗОБРАЖЕНИЯХ	74

1 ПЕРЕД ВВОДОМ В ЭКСПЛУАТАЦИЮ

Благодарим за то, что выбрали компанию JAC. Перед установкой машины и ее вводом в эксплуатацию обязательно прочтите настоящее руководство. Таким образом вы сможете защитить себя и избежать повреждений машины.

В настоящем руководстве содержатся ссылки на различные изображения, облегчающие понимание инструкций. Эти изображения находятся в конце руководства. Обращайтесь к ним, когда встретите в тексте обозначения следующего вида: (fig.X, n°Y).

Для полной удовлетворенности работой машины в будущем предлагаем ознакомиться с поданными ниже правилами.

- Для установки машины, ее ввода в эксплуатацию и контроля работы обращайтесь к аккредитованному специалисту.

- Чтобы на машину подействовала 5-летняя гарантия (см. необходимые условия далее), дистрибьютор должен заполнить журнал технического обслуживания при установке машины. Журнал технического обслуживания находится с тыльной части машины.

2 ГАРАНТИЯ



Компания JAC предоставляет 5-летнюю гарантию на всю свою продукцию.

Гарантия распространяется на все детали машины, в том числе электронные, кроме расходных материалов. Гарантия вступает в силу с даты установки оборудования.

Гарантия действует при соблюдении следующих ограничительных условий:

- приобретение оборудования у аккредитованного дистрибьютора;
- выполнение установки аккредитованным специалистом;
- использование оборудования в соответствии с указаниями в руководстве по эксплуатации и по назначению, предусмотренному при производстве;
- ежедневное обслуживание оборудования в соответствии с указаниями в руководстве по эксплуатации;
- выполнение технического обслуживания аккредитованным специалистом в соответствии с требованиями по техническому обслуживанию не реже одного раза в год (производится за счет пользователя);
- использование исключительно оригинальных деталей компании JAC.



При отсутствии контроля технического обслуживания со стороны аккредитованного специалиста и/или в случае неправильного ведения журнала технического обслуживания действие гарантии ограничивается одним годом.

Гарантия не распространяется:

- на замену расходных материалов (§9);
- на детали, признанные неисправными не нашей компанией;
- на проблемы, возникшие вследствие неправильной эксплуатации оборудования;

- на проблемы, возникшие вследствие установки машины не аккредитованным специалистом;
- на детали или проблемы, связанные с нанесением ущерба во время транспортировки или ненадлежащим обращением при погрузочно-разгрузочных работах.

Ремонт и/или замена неисправных деталей, выполненные в течение гарантийного периода, не могут послужить причиной продления данной гарантии.

3 ПРЕДУПРЕЖДЕНИЯ

Настоящее руководство следует сохранить для получения справочной информации при дальнейшей эксплуатации машины. В случае продажи или передачи машины другому лицу следует удостовериться, что руководство по эксплуатации передается вместе с ней, чтобы пользователь мог получить информацию о ее работе и связанных с ней предупреждениях.



Предупреждения изложены для обеспечения вашей безопасности и безопасности других лиц. Просим вас внимательно прочесть эти предупреждения перед установкой и эксплуатацией машины.

Машина разработана для использования совершеннолетними лицами с соответствующим разрешением. Поэтому нужно следить за тем, чтобы дети не прикасались к машине и не использовали ее в качестве игрушки.

Машина предназначена исключительно для использования в рабочих целях.

Опасно вносить изменения (и даже пытаться) в характеристики машины.

После установки машины убедитесь в том, что она не стоит на кабеле электроснабжения.

Соблюдайте данные инструкции по эксплуатации.

Машина должна храниться и использоваться в помещении, защищенном от сырости и жары.

Машина должна быть обеспечена достаточным освещением для выполнения работы.

Уровень шума машины ниже 70 дБ(А) согласно стандарту EN ISO 3744.

Машина не должна использоваться несколькими операторами параллельно (если не предписано иное).

Данная машина предназначена для нарезки печеного и выдержанного хлеба.



Данная машина не предназначена для следующих материалов и видов хлеба:

- Горячий хлеб, черствый хлеб.
- Замороженный или частично размороженный хлеб.
- Цельнозерновой хлеб с твердой коркой и другие виды хлеба с твердой коркой.
- Ржаной хлеб.

- Несъедобные изделия из древесины, пластмассы и аналогичных материалов.
- Любые продукты питания, не входящие в категорию хлебных или кексовых изделий.

Нарезка перечисленных видов хлеба или материалов может привести к повреждению машины.



Всегда отключайте машину от сети электропитания перед выполнением чистки внутренних/внешних поверхностей и операций по техническому обслуживанию.

Машина тяжелая. Принимайте все необходимые меры предосторожности при транспортировке и погрузочно-разгрузочных работах.

4 ТЕХНИЧЕСКИЕ ХАРАКТЕРИСТИКИ

4.1 Технические характеристики

	PICOMATIC 450	PICOMATIC 450 M
Высота (мм)	722	722
Высота с крышкой (мм)	880	880
Высота с подставкой (мм)	1346	1346
Высота с подставкой и крышкой (мм)	1500	1500
Ширина (мм)	607	607
Глубина (мм)	682	682
Длина входного канала (мм)	300	290
Ширина входного канала (мм)	440	440
Высота входного канала (мм)	180	180
Упаковка (мм)	800 x 860 x 800	800 x 860 x 800
Вес нетто (кг)	105	115
Вес нетто + упаковка (кг)	125	135
Мощность мотора (кВт)	0,49	1,5
Тип мотора	Однофазный или трехфазный	Трехфазный
220 В, 50 Гц (А)	5	
380 В, 50 Гц (А)	3,2	3,2
Производительность (буханок/час)	200<500	200<500
Уровень шума (дБ)	<75	<75

Усиленный мотор	опция
Цифровой дисплей	опция
Подставка на колесиках	опция
Передняя защитная крышка	опция
Двойная толщина нарезки	опция
Специальный цвет	опция
Специальные ножи	опция
Фотоэлементы	Опция
JACFIX	опция

4.2 Подробности о материалах, находящихся в непосредственном контакте с хлебом.

Входная полка: НЕРЖ. 430

Толкатель для буханок: НЕРЖ. 430

Пресс для буханок: НЕРЖ. 430

Ножи: сталь

Выходная полка: НЕРЖ. 430

Устройство для упаковки в пакеты: НЕРЖ. 430

5 УСТАНОВКА И ВВОД В ЭКСПЛУАТАЦИЮ

5.1 Распаковка машины

Машины из наших цехов поставляются на поддонах, закрепленные ремнями и в защитной картонной коробке. Прежде всего следует осмотреть упаковку на предмет наличия повреждений, полученных во время транспортировки, и сообщить о них непосредственно экспедитору.

- A. Удалите картонную коробку и упаковочный пакет машины.
- B. Снимите ремни, обратив особое внимание на их ослабление при разрезании.
- C. Открепите машину от поддона, сняв деревянные рейки, фиксирующие колесики.
- D. Снимите машину с поддона. В этой операции должны участвовать не менее двух человек для обеспечения максимально плавного соприкосновения машины с полом.
- E. Установите на место регулируемый упор устройства для упаковки в пакеты (fig.10, п°33).

После распаковки машины убедитесь, что она не подвергалась повреждениям во время транспортировки. Сообщайте нам о любых дефектах.

В случае машины с подставкой (опция):

- A. Прикрепите к подставке колесики, входящие в комплект поставки, при этом колесики с тормозом должны быть прикреплены спереди.
- B. Установите машину на подставку (установку должны выполнять не менее двух человек).
- C. Удалите бак для крошек.

- D. Вставьте между машиной и подставкой сайлентблоки, входящие в комплект поставки (fig.4, н°21).
- E. Вставьте изнутри машины входящие в комплект поставки винты (fig.4, н°20) и шайбы в специально предусмотренные отверстия на каркасе машины.
- F. Пропустите винты через каркас машины, сайлентблоки и каркас подставки и зажмите с помощью гаек, входящих в комплект поставки (fig.4, н°22).

5.2 Место установки

Для обеспечения долгосрочной высокой производительности и надежности машины следует правильно выбрать место установки.

Оно должно быть хорошо проветриваемым, защищенным от воздействия прямых солнечных лучей, удаленным от источников тепла, с прочной поверхностью, не подвергающейся вибрации.

5.3 Электрическое подключение

ВАЖНО! Обязательно наличие заземления.

Рекомендуется защитить электрическую установку с помощью плавкого предохранителя и дифференциального автоматического выключателя.

Электрическая установка, обеспечивающая питание машины, должна быть защищена следующим образом:

- Северная Америка: защита 15 А;
- Остальные страны: защита 16 А.

Машины, оборудованные регулятором скорости, обязательно должны подключаться к разветвительной коробке на линии с дифференциальным автоматом 300 мА.

Примечание. Любые проблемы, возникшие в связи с иным видом подключения, не будут покрываться гарантией.

Перед подключением машины к электросети и во избежание выхода мотора из строя в момент подключения следует убедиться в соответствии электросети характеристикам машины (см. заводской шиток).

Машина соответствует директивам по механическому оборудованию 2006/42, 2014/35, 2014/30 и имеет подтверждающую маркировку ЕС.

Ознакомьтесь с пиктограммами техники безопасности, имеющимися на машине.



Пиктограмма, предупреждающая об опасности пореза. Она находится в передней части машины, рядом с зоной выгрузки хлеба (fig.9, н°29).



Электросхема машины находится на обратной стороне дверцы отсека электрощитка (fig.9, н°30).



Русский

Пиктограмма, предупреждающая об опасности поражения электрическим током. Отключайте машину перед выполнением любых работ. Пиктограмма находится сзади машины, рядом с кабелем питания, и внутри машины на отсеке электрощитка (fig.9, n°31).



Пиктограмма, предупреждающая об опасности прикосновения к подвижным механическим элементам. Находится возле бака для крошек (fig.9, n°28).

5.4 Ввод в эксплуатацию

Перед вводом в эксплуатацию убедитесь в отсутствии любых посторонних предметов на подвижных частях машины.

Для получения ответов на все вопросы, касающиеся эксплуатации машины, см. раздел «Эксплуатация».

5.5 Опасность

В случае возникновения опасности для пользователя или для машины следует отключить электропитание с помощью главного выключателя.

Извлеките штекер из электрической розетки перед выполнением любых операций по техническому или периодическому обслуживанию.

Не прикасайтесь к ножу, даже если машина выключена.

Для замены ножа обратитесь к аккредитованному дистрибьютору.

Обязательно надевайте защитные перчатки, предохраняющие от порезов, при выполнении операций в непосредственной близости от ножа или при его замене.

Все операции по техническому обслуживанию или замене деталей должны осуществляться квалифицированным сотрудником.

6 ОРГАНЫ УПРАВЛЕНИЯ И ПРЕДОХРАНИТЕЛЬНЫЕ УСТРОЙСТВА

6.1 Органы управления

Хлебрезка серийно оборудована кнопкой аварийного останова (fig.1, n°5)..

Некоторые машины (MRK — MRK ETL — MRF — MRL — MRL ETL — MRM — MRC) оборудованы цифровым дисплеем (fig.6), позволяющим:

- включать экран машины (fig.6, n°24);
- выключать экран машины (fig.6, n°26);
- обнулять счетчик нарезки на оборудованных таким счетчиком машинах путем одновременного нажатия и удержания в течение 5 секунд двух кнопок под логотипом ISC (fig.6, n°25);
- обнулять счетчик масла (MRF — MRM) (fig.6, n°27);
- программировать различные настройки машины (выполняется аккредитованным специалистом) (fig.6, n°25).

На дисплее отображается:

- выполненное количество нарезок;
- необходимость замены ножей;
- срабатывание какого-либо предохранительного устройства.

6.2 Рабочая зона

Рабочая зона находится перед машиной (fig.3, n°19).

6.3 Предохранительные устройства

Если машина оборудована предохранительными устройствами, она включается с закрытием верхней крышки. Открытие верхней крышки останавливает работу машины (fig.1, n°1) (MRZ — MRP — MRK — MRK ETL — MRF — MRP — MRQ).

Оборудование на данной машине:

Аварийный выключатель (fig.1, n°10), препятствующий работе машины при открытой задней крышке (fig.1, n°10) (опция) (MRZ — MRP — MRK — MRK ETL — MRF — MRP — MRQ — MRR — MRC — MRC ETL).

Аварийный выключатель (fig.2, n°18), препятствующий работе машины при открытой передней крышке (fig.2, n°17) (опция) (MRC — MRC ETL — MRR).

Фотоэлемент (fig.2, n°15), препятствующий работе машины при прерывании луча (опция) (MRL — MRL ETL — MRM).

7 ЭКСПЛУАТАЦИЯ

Если машина оборудована подставкой (fig.1, n°8) (опция), при эксплуатации колесики с тормозом должны быть заблокированы (fig.1, n°9).

В начале рабочего дня машину следует включить с помощью кнопки аварийного останова. (fig.1, n°5)

На машинах с цифровым дисплеем (fig.6) (MRK — MRK ETL — MRF — MRL — MRL ETL — MRM — MRC) нужно нажать зеленую кнопку включения электропитания (fig.6, n°24).

Порядок эксплуатации (fig.5)

- Поместите буханку на заднюю полку между ножами и подвижной частью.
- Закройте заднюю крышку (MRZ — MRP — MRK — MRK ETL — MRF — MRP — MRQ — MRR — MRC — MRC ETL) — это действие включает машину. Если машина оборудована фотоэлементами (опция) (MRL — MRL ETL — MRM), нажмите на зеленую кнопку (fig.6, n°24) для запуска процесса нарезки.
- По окончании процесса нарезки заберите нарезанную буханку в передней части машины. Задняя крышка закрывается (MRZ — MRP — MRK — MRK ETL — MRF — MRP — MRQ — MRR). Если машина оборудована передней крышкой, откройте ее, перед тем как забрать хлеб (опция) (MRC — MRC ETL — MRR). Если машина оборудована системой JACFIX (опция), эта система служит для удержания ломтей после нарезки. Извлеките хлеб через верх, чтобы достать его из системы JACFIX.

В конце рабочего дня на машинах с цифровым дисплеем (MRK — MRK ETL — MRF — MRL — MRL ETL — MRM — MRC — MRC ETL) нужно нажать желтую кнопку выключения электропитания (fig.6, п°26). Нажмите на красную кнопку **аварийного останова** (fig.1, п°5), чтобы отключить электропитание машины.

Рекомендация. После первых дней эксплуатации поручите квалифицированному специалисту проверить натяжение ножей.

Производительность: Количество буханок, нарезаемых в день: 6000 (в зависимости от типа хлеба).

Размеры буханки (Д x Ш x В) (см):

MRZ — MRP — MRK — MRK ETL — MRQ — MRL — MRL ETL — MRR — MRC — MRC ETL

мин. 12 x 6 x 6, макс. 44 x 30 x 18.

MRM — MRF — MRR — MRQ

мин. 12 x 6 x 6, макс. 44 x 29 x 18.

Безопасность:

Открытие задней защитной крышки (fig.1, п°1) препятствует работе машины (MRZ — MRP — MRK — MRK ETL — MRF — MRZ — MRP — MRQ — MRR — MRC — MRC ETL).

Открытие передней защитной крышки (fig.2, п°17) препятствует работе машины (MRC — MRC ETL — MRR).

Движение перед фотоэлементами (fig.2, п°15) препятствует работе машины (MRL — MRL ETL — MRM).

Срабатывание предохранительного устройства отображается в виде сообщения на дисплее (fig.6, п°23) (MRK — MRK ETL — MRF — MRL — MRL ETL — MRM — MRC).

8 ТЕХНИЧЕСКОЕ ОБСЛУЖИВАНИЕ

8.1 Ежедневное, выполняется пользователем, прошедшим подготовку.

- A. Проверьте заполненность бака для крошек.
- B. Очистите полки с помощью щетки.
- C. Протрите сухой ветошью внутренние поверхности.
- D. Протрите влажной ветошью внешние поверхности.

8.2 Через каждые 25 000 нарезок и/или не реже 1 раза в год; выполняется аккредитованным специалистом.

Извлеките штекер из розетки.

Проверьте состояние ножей.

При констатации снижения качества нарезки закажите замену ножей (артикул JAC: 610011, 6110001 в каталоге запасных частей компании JAC).

Если ножи подлежат замене, эта операция должна быть выполнена в соответствии с процедурой замены ножей.

ОБРАТИТЕ ВНИМАНИЕ! Натяжка ножей не должна быть избыточной, это может привести к деформации рамок.

Очистите внутренние поверхности машины с помощью щетки и пылесоса.

Проверьте состояние подшипников, смазку подшипников.

Смажьте шарнирные соединения установочного домкрата.

Проверьте внесение аккредитованным специалистом записей о выполненной работе в журнал технического обслуживания для сохранения 5-летней гарантии.

Дополнительные операции по техническому обслуживанию для моделей с системой смазки

Масло, рекомендуемое для использования: 7940019 (как указано в каталоге компании JAC в разделе «Запасные части»)

или жидкое пищевое растительное масло с натуральным антиоксидантом

Через каждые 1000 нарезок или раз в 15 дней; выполняется пользователем, прошедшим подготовку:

Добавить нужное количество пищевого масла (100-150 мл) для пропитки войлока КАРЕТКИ (включить кнопку перемещения каретки для получения доступа к пробке отверстия подачи масла).

Через каждые 25 000 нарезок и/или не реже 1 раза в год; выполняется аккредитованным специалистом.

Извлеките штекер из розетки.

Заменить войлок толкателя.

8.3 Замена ножей (перед A B C D E F)

(Fig.8)

Обязательно надевайте защитные перчатки, предохраняющие от порезов (стандарт EN 388: 2003, индекс B = 5), и защитную обувь во время выполнения замены ножа или операций в непосредственной близости от ножа.

Убедитесь, что штекер машины отсоединен от электросети.

Если машины оборудованы передней и задней крышками (MRC — MRC ETL), снимите переднюю крышку, открутив 4 фиксирующих ее винта (fig.7).

- A. Снимите заднюю пластину машины, открутив 4 винта.
- B. Открутите оба винта задней полки и пропустите ее в заднюю часть машины, чтобы освободить переднюю полку.
- C. Открутите устройство для упаковки в пакеты с помощью левого и правого колесиков и открутите оба винта кожуха.
- D. Откройте кожух. Открутите 4 винта передней полки и снимите ее.
- E. Внутри слева открутите винт **A**, с помощью которого стержень прикреплен к передней рамке.
- F. Уложите рамку вперед. Замените лезвия задней рамки (накройте чем-нибудь лезвия передней рамки, чтобы не порезаться). Ослабьте контргайки, навинченные на винты **B** (MRF — MRM — MRQ). Ослабьте винты **B** с 6-гранным углублением под торцевой ключ, обеспечивающие натяжение лезвий. Замените лезвия, следя за тем, чтобы они правильно расположились в выступах противовесов. Восстановите натяжение лезвий, затянув винты **B**, используя в качестве ориентира ножи, оставшиеся на рамке. Затем зажмите гайки (на машинах, оборудованных опцией смазывания).

Во избежание деформации рамки и опасных поломок одновременно следует заменять не более 1-3 ножей, чередуя левую и правую стороны.

Выполните ту же процедуру, начиная с пункта E, для передней рамки и установите ее на место вместе с другими элементами корпуса машины.

Подключите машину к электросети. Машина готова к работе.



Проверьте внесение аккредитованным специалистом записей о выполненной работе в журнал технического обслуживания для сохранения 5-летней гарантии.

9 РАСХОДНЫЕ МАТЕРИАЛЫ

При заказе запасной части проверьте вместе с аккредитованным специалистом, о какой детали идет речь, по каталогу запасных частей, выпускаемому производителем. Всегда уточняйте номер машины, указанный на заводском щитке. Заказ в компании JAC может разместить ваш аккредитованный специалист.

9.1 Список РАСХОДНЫХ МАТЕРИАЛОВ

ITEM CODE	DESCRIPTION	MODEL
7240031	A 31 BELT	ALL
5690010	SLIDE PAD, 100 MM	ALL
5740162	FRAME LINK	ALL
6110001	JAC KNIFE, 13 MM/0.5 MM	PICOMATIC 450
6110011	JAC KNIFE, 13 MM/0.5 MM + TEFLON	PICOMATIC 450M
5310026	LOAF HOLDER SPRING PLASTIC RING	PICOMATIC 450
5310030	LOAF HOLDER SPRING STAINLESS STEEL RING	PICOMATIC 450M
5690151	LOAF HOLDER PAD	ALL
6530002	PHOTOELECTRIC CELL REFLECTIVE STRIP	ALL
5690102	JAC FLAP	ALL
6120002	PUSHER FELT PAD	PICOMATIC 450M
BMJL001	ПРУЖИНА JACFIX	BCE
BMJL002		

Проблема	Проверка
Машина не работает	Подключить машину с помощью кабеля (fig.1, п°14).
	Разблокировать аварийный останов (fig.1, п°5).
	Закрыть крышку.
	Закрыть дверцу.
Машина работает, но буханки разрушаются или нарезаются неровно.	Проверить, не нужно ли заменить ножи (fig.7, 8).
	Дать хлебу остыть несколько часов.
	Загрузить буханку подходящих размеров.
	Загрузить достаточно твердую буханку.
	Если лезвия сместились, отрегулировать ножи и рамки.
Буханка вибрирует между ножей.	Если лезвия сместились, отрегулировать ножи и рамки.
Хлеб нарезается слишком медленно.	Проверить, не нужно ли заменить ножи (fig.7, 8).
	Убедиться в правильном положении пружин пресса для буханок (fig.10, п°32).
Буханка разрывается.	Если лезвия сместились, отрегулировать ножи и рамки.
	Убедиться в правильном положении пружин пресса для буханок (fig.10, п°32).
Буханка выходит слишком медленно или остается между ножами.	Убедиться в правильном положении пружин пресса для буханок (fig.10, п°32).
Буханка выходит из ножей раздавленной.	Извлечь пружину пресса для буханок и повторить проверку (fig.10, п°32).

ВНИМАНИЕ! Перед выполнением любых ремонтных работ машина должна быть отключена от электроснабжения.



Если проблема не устраняется, обратитесь к вашему техническому специалисту.

11 КОДЫ ОШИБОК

11.1 Машины, оборудованные экраном (MRK — MRK ETL — MRF — MRL — MRL ETL — MRM — MRC)

Сообщение на экране	Описание проблемы	Действие
СТОП! ФОТОЭЛЕМЕНТ ПРОВЕРИТЬ	Прерывание лучей фотозлемента (S5).	Перезапустите машину с помощью кнопки аварийного останова (fig.1, n°5). Если проблема не устраняется, обратитесь к вашему техническому специалисту.
ОСТАНОВКА ОТКРЫТАЯ ПОЛКА ЗАКРЫТЬ ПОЛКУ	Открыт бак для крошек (S7)	
ОСТАНОВКА ПЕРЕГРЕВ МОТОРА ОЖИДАТЬ!	Срабатывание термореле привода ножей (F3)	
НАЖМИТЕ ПУСК ДЛЯ ПЕРЕУСТАНОВКИ МАШИНЫ	Толкатель для буханок в начальном положении (S1)	
ОТКРЫТА КРЫШКА ЗАКРЫТЬ КРЫШКУ	Защитная крышка открыта (S6)	
НАПОЛНИТЬ МАСЛОБАК ДЛЯ НАРЕЗКИ	Требуется долить масло в толкатель для буханок	
ОСТАЛОСЬ 0 НАРЕЗОК ДО ЗАМЕНЫ НОЖЕЙ	Требуется замена ножей	



Если проблема не устраняется, обратитесь к вашему техническому специалисту.

12 СПИСОК КОМПЛЕКТУЮЩИХ НА ИЗОБРАЖЕНИЯХ

Изображение	Номер	Название
1	1	Задняя крышка
	2	Устройство для упаковки в пакеты
	3	Толкатель для буханок
	4	Кожух
	5	Кнопка аварийного останова
	6	Пресс для буханок
	7	Передняя полка
	8	Подставка на колесиках (опция)
	9	Заблокированные колесики
	10	Аварийный выключатель на задней крышке
	11	Колесико
	12	Задняя полка
	13	Задняя пластина
	14	Кабель питания
2	15	Фотоэлементы (опция)
	16	Цифровой дисплей (MRK — MRK ETL — MRF — MRL — MRL ETL — MRM — MRC)
	17	Передняя крышка (опция)
	18	Аварийный выключатель на передней крышке
3	19	Рабочая зона
4	20	Соединительный винт подставки на колесиках
	21	Сайлентблок подставки на колесиках
	22	Зажимная гайка подставки на колесиках
6	23	Цифровой дисплей
	24	Включение дисплея (MRK — MRK ETL — MRF — MRL — MRL ETL — MRM — MRC)
	25	Клавиша программирования (MRK — MRK ETL — MRF — MRL — MRL ETL — MRM — MRC) (только для работы технического специалиста)
	26	Выключение дисплея (MRK — MRK ETL — MRF — MRL — MRL ETL — MRM — MRC)
	27	Обнуление долива масла (MRM — MRF)
9	28	Пиктограмма «Опасность получения механической травмы»
	29	Пиктограмма «Опасность пореза»
	30	Электросхема
	31	Пиктограмма «Опасность поражения электрическим током»
10	32	Съемная пружина пресса для буханок
	33	Регулируемый упор устройства для упаковки в пакеты

1	ANTES DE LA PUESTA EN SERVICIO	76
2	GARANTÍA	76
3	ADVERTENCIAS	77
4	CARACTERÍSTICAS TÉCNICAS	78
4.1	<i>Características técnicas</i>	78
4.2	<i>Detalle de materiales en contacto directo con el pan</i>	78
5	INSTALACIÓN Y PUESTA EN SERVICIO	79
5.1	<i>Desembalaje de la máquina</i>	79
5.2	<i>Ubicación</i>	79
5.3	<i>Conexión eléctrica</i>	80
5.4	<i>Puesta en servicio</i>	80
5.5	<i>Peligro</i>	80
6	CUADRO DE CONTROL Y DE SEGURIDAD	81
6.1	<i>Cuadro de control</i>	81
6.2	<i>Área de trabajo</i>	81
6.3	<i>Cuadro de seguridad</i>	81
7	USO	82
8	LIMPIEZA	83
8.1	<i>Diaria por un usuario formado</i>	83
8.2	<i>Cada 25 000 cortes y/o 1 vez al año como mínimo, por un agente autorizado</i>	83
8.3	<i>Cambio de las cuchillas</i>	83
9	CONSUMIBLES	84
9.1	<i>Lista de CONSUMIBLES</i>	84
10	INCIDENTES DE FUNCIONAMIENTO	85
11	CÓDIGOS DE ERROR	86
11.1	<i>Máquinas están equipadas con una pantalla (MRK – MRK ETL – MRF – MRL – MRL ETL – MRM – MRC)</i> 86	
12	LISTA DE COMPONENTES DE LAS FIGURAS	87

1 ANTES DE LA PUESTA EN SERVICIO

Gracias por elegir una solución JAC. Lea con atención este manual de uso antes de instalar y poner en servicio esta máquina. De esta forma, usted puede protegerse y evitar el deterioro de su máquina.

Este manual hace referencia a distintas figuras con el fin de facilitar la comprensión de las instrucciones. Estas figuras se encuentran al final del manual. Consúltelas cuando vea los siguientes símbolos: fig.X, n°Y.

Para que el funcionamiento de su máquina sea satisfactorio a lo largo de los próximos años, le invitamos a que lea los siguientes consejos:

- Solicite ayuda a su agente autorizado para la instalación, la puesta en servicio y el seguimiento.
- Para poder beneficiarse de la garantía de 5 años (consulte las condiciones recogidas a continuación), solicite a su distribuidor que complete la tarjeta de mantenimiento al instalar su máquina. Esta tarjeta de mantenimiento se encuentra en la parte trasera de su máquina.

2 GARANTÍA



JAC ofrece una garantía de 5 años en todos sus productos.

Esta garantía es válida para todas las piezas de su máquina, incluidas las electrónicas, excluyendo los consumibles. La garantía entra en vigor a partir de la fecha de instalación del material.

Con las siguientes condiciones restrictivas:

- El material debe haberse adquirido a un revendedor autorizado.
- La instalación deberá efectuarla un agente autorizado.
- El material debe utilizarse conforme a las indicaciones del manual de uso y para la finalidad para la que ha sido fabricado.
- El mantenimiento diario del material debe efectuarse conforme a las indicaciones del manual de uso.
- El agente autorizado debe hacer un seguimiento del mantenimiento conforme a las especificaciones de mantenimiento, como mínimo, una vez al año (mantenimiento a cargo del usuario).
- Deben utilizarse exclusivamente piezas originales JAC.



Si un agente autorizado no efectúa el seguimiento del mantenimiento y/o la tarjeta de mantenimiento no está cumplimentada correctamente, la garantía se limita a un año.

Esta garantía no cubre:

- La sustitución de consumibles (§9).
- Las piezas que nuestros servicios no reconozcan como defectuosas.
- Los problemas derivados de un uso anormal del material.
- Los problemas derivados de una instalación no efectuada por un agente autorizado.

- Las piezas o los problemas causados por daños en el transporte o por un mantenimiento inadecuado.

Una reparación y/o una sustitución de piezas defectuosas efectuadas durante el periodo de garantía no supondrá la prolongación de dicha garantía.

3 ADVERTENCIAS

Es muy importante conservar este manual de uso junto con el aparato para futuras consultas. Si este aparato se vende o se transfiere a otra persona, asegúrese de que se le entrega también el manual de uso para que el usuario pueda estar informado de su funcionamiento y de las advertencias que se recogen aquí.



Estas advertencias se dan por su seguridad y la de los demás. Le rogamos que las lea con atención antes de instalar y utilizar el aparato.

Esta máquina está diseñada para su uso por adultos autorizados. Asegúrese de que los niños no la toquen o que no la usen como un juguete.

Esta máquina está destinada únicamente a un uso profesional.

Es peligroso modificar o intentar modificar las características de esta máquina.

Después de instalar la máquina, asegúrese de que no aplasta el cable de alimentación.

Siga las instrucciones de uso.

Esta máquina debe almacenarse y utilizarse dentro de un local, protegida de la humedad y del calor.

Esta máquina debe estar suficientemente iluminada para efectuar el trabajo.

Esta máquina tiene un nivel sonoro inferior a 75 dB(A) según la norma EN ISO 3744.

Esta máquina debe utilizarla una sola persona a la vez (salvo indicación contraria).

Esta máquina está diseñada para el corte de panes cocidos y templados.



Esta máquina no está destinada a los siguientes panes y materiales:

- Panes calientes, panes duros.
- Panes congelados o parcialmente descongelados.
- Panes completos con una corteza dura y otros tipos de pan con corteza dura.
- Panes de centeno.
- Productos no comestibles como la madera, el plástico y materiales similares.
- Cualquier otro alimento que no forme parte de la categoría de panes o bizcochos.

La máquina puede sufrir daños al cortar panes o materiales no permitidos.



Desconecte siempre la toma de corriente antes de proceder a la limpieza interior y exterior del aparato y a las operaciones de mantenimiento.

Este aparato es pesado. Tome todas las precauciones de seguridad durante su mantenimiento.

4 CARACTERÍSTICAS TÉCNICAS

4.1 Características técnicas

	PICOMATIC 450	PICOMATIC 450 M
Altura (mm)	722	722
Altura con tapa (mm)	880	880
Altura con zócalo (mm)	1346	1346
Altura con zócalo y tapa (mm)	1500	1500
Anchura (mm)	607	607
Profundidad (mm)	682	682
Longitud del canal de entrada (mm)	300	290
Anchura del canal de entrada (mm)	440	440
Altura del canal de entrada (mm)	180	180
Embalaje (mm)	800 x 860 x 800	800 x 860 x 800
Peso neto (k)	105	115
Peso neto + embalaje (k)	125	135
Potencia del motor (kW)	0,49	1,5
Tipo de motor	Monofásico o trifásico	Trifásico
220 v - 50 Hz (A)	5	5
380 v - 50 Hz (A)	3,2	3,2
Capacidad (panes/hora)	200<500	200<500
Nivel sonoro (dB)	<75	<75

Motor reforzado	Opcional
Pantalla digital	Opcional
Zócalo con rueda	Opcional
Tapa de seguridad delantera	Opcional
Doble rebanada	Opcional
Color especial	Opcional
Cuchillas especiales	Opcional
Células	Opcional

4.2 Detalle de materiales en contacto directo con el pan.

Tabla de entrada: INOX 430
 Empujador de pan: INOX 430
 Rodillo: INOX 430
 Cuchillas: Acero
 Tabla de salida: INOX 430
 Embolsador: INOX 430

5.1 Desembalaje de la máquina:

Las máquinas que salen de nuestros talleres se entregan en palés atados y protegidos con cartón. Antes de realizar cualquier acción, debe observarse el embalaje e informar al transportista de cualquier daño debido al transporte.

- A. Quite el cartón y el plástico de embalaje de la máquina.
- B. Quite las cinchas prestando especial atención a su distensión al seccionarlas.
- C. Separe la máquina del palé levantando los listones de madera que bloquean las ruedas.
- D. Baje la máquina del palé. Efectúe esta operación entre dos personas como mínimo para amortiguar al máximo el contacto con el suelo.
- E. Coloque el tope ajustable del embolsador en el embolsador (fig.10, n°33).

Después de desembalar su máquina, compruebe que no ha sufrido daños durante el transporte. Infórmenos de cualquier anomalía.

Si su máquina lleva un zócalo (opcional):

- A. Monte en el zócalo las ruedas suministradas prestando atención de instalar las ruedas con freno en la parte delantera.
- B. Coloque la máquina en el zócalo entre dos personas como mínimo.
- C. Quite la bandeja de migas de la máquina.
- D. Intercale los silentblocs suministrados entre la máquina y el zócalo (fig.4, n°21).
- E. Introduzca por el interior de la máquina los tornillos (fig.4, n°20) y arandelas en los orificios previstos para ello en el chasis de la máquina.
- F. Pase los tornillos a través de la máquina, los silentblocs y el zócalo y apriete el conjunto con las tuercas suministradas (fig.4, n°22).

5.2 Ubicación:

Para obtener un rendimiento excelente y una fiabilidad a largo plazo, elija una ubicación que esté:

Bien ventilada, protegida de los rayos directos del sol y alejada de fuentes de calor, con una superficie robusta y sin vibraciones.

5.3 Conexión eléctrica:

IMPORTANTE: La toma de tierra es obligatoria.

Es aconsejable proteger la instalación con un fusible y un disyuntor diferencial.

La instalación eléctrica que suministra energía a la máquina debe estar protegida tal y como se indica a continuación:

- América del Norte: Protección 15 A.

- Resto del mundo: Protección 16 A.

Las máquinas equipadas con un variador deben estar conectadas obligatoriamente a una caja de derivación en una línea equipada con un diferencial de 300 mA.

Nota: La garantía no cubrirá cualquier problema ocasionado por una conexión de otro tipo.

Antes de conectar su máquina a la red y con el fin de evitar una avería del motor al encenderla, es importante comprobar la adecuación de la red de alimentación a las características de la máquina (consulte la placa informativa de la máquina).

Este aparato cumple con las directivas sobre máquinas 2006/42, 2006/95 y 2004/108 y lleva el marcado CE que lo certifica.

Consulte los pictogramas de seguridad que figuran en la máquina:



Pictograma que indica un riesgo de corte. Lo encontrará en la parte delantera de la máquina, alrededor de la zona de colocación del pan (fig.9, n°29).

Encontrará el esquema eléctrico de la máquina en la parte trasera de la puerta de la caja eléctrica (fig.9, n°30).



Pictograma que indica un riesgo de electrocución. Desconecte la máquina antes de hacer cualquier intervención. Lo encontrará en la parte trasera de la máquina, cerca del cable de alimentación y dentro de la máquina en la caja eléctrica (fig.9, n°31).



Pictograma que indica un riesgo de contacto con las partes mecánicas en movimiento. Lo encontrará en la puerta delantera (fig.9, n°28).

5.4 Puesta en servicio:

Antes de la puesta en servicio, asegúrese de que no queda ningún objeto sobrante en las partes en movimiento de la máquina.

Para utilizar la máquina, consulte el apartado «Uso».

5.5 Peligro:

En caso de peligro para el usuario o para la máquina, debe utilizar el interruptor general para cortar la alimentación de la máquina.

Quite el enchufe de la toma de corriente antes de efectuar cualquier operación de mantenimiento y de limpieza.

No toque la cuchilla incluso si la máquina está parada.

Para cambiar la cuchilla, solicite la intervención de su distribuidor autorizado.

Lleve siempre guantes de protección anticorte al sustituir la cuchilla o cuando trabaje cerca de la cuchilla.

Cualquier operación de mantenimiento o de sustitución de piezas debe efectuarla una persona cualificada.

6 CUADRO DE CONTROL Y DE SEGURIDAD

6.1 Cuadro de control:

Su cortadora está equipada de serie con un botón de detención de emergencia (fig.1, n°5).

Algunas máquinas están equipadas con una pantalla digital (fig.6) (MRK – MRK ETL – MRF – MRL – MRL ETL – MRM – MRC) que permite:

- Encender la pantalla de la máquina (fig.6, n°24)
- Apagar la pantalla de la máquina (fig.6, n°26)
- Poner a cero el contador de corte de las máquinas que lo llevan equipado pulsando simultáneamente durante 5 segundos en los dos botones situados bajo el logo ISC (fig.6, n°25)
- Poner a cero el contador de aceite (MRF – MRM) (fig.6, n°27)
- Programar los distintos ajustes de la máquina (reservado a un agente autorizado) (fig.6, n°25)

Esta pantalla le indica:

- El número de corte efectuado
- Si se deben sustituir las cuchillas
- Si se ha activado un mecanismo de seguridad

6.2 Área de trabajo:

El área de trabajo está situada en la parte delantera de la máquina (fig.3, n°19)

6.3 Cuadro de seguridad:

Si su máquina está provista de esta función, el cierre de la tapa pone en marcha la máquina. Al abrirla, se para la máquina (fig.1, n°1) (MRZ – MRP – MRK – MRK ETL – MRF – MRP – MRQ).

Esta máquina está equipada con:

Un interruptor de seguridad (fig.1, n°10) que impide que la máquina funcione cuando la tapa trasera (fig.1, n°10) (MRZ – MRP – MRK – MRK ETL – MRF – MRP – MRQ - MRR) está abierta.

Un interruptor de seguridad (fig.2, n°18) que impide que la máquina funcione cuando la tapa delantera (fig.2, n°17) (opcional) (MRC – MRC ETL - MRR) está abierta.

Una célula fotoeléctrica (fig.2, n°15) que impide el funcionamiento de la máquina cuando el cableado está cortado (opcional) (MRL – MRL ETL – MRM).

Para usar la máquina, si está equipada con un zócalo (fig.1, n°8) (opcional), las ruedas provistas de freno deben estar bloqueadas (fig.1, n°9).

Al principio del día, encienda la máquina con ayuda del botón de detención de emergencia (fig.1, n°5)

En las máquinas equipadas con pantalla digital (fig.6) (MRK – MRK ETL – MRF – MRL – MRL ETL – MRM – MRC), pulse el botón verde de encendido (fig.6, n°24).

Procedimiento de uso (fig.5)

- A. Coloque el pan en la tabla trasera, entre las cuchillas y la parte móvil.
- B. Cierre la tapa trasera (MRZ – MRP – MRK – MRK ETL – MRF – MRP – MRQ - MRR), esto hará que la máquina empiece a funcionar. Si su máquina está equipada con células fotoeléctricas (opcional) (MRL – MRL ETL – MRM), pulse el botón verde (fig.6, n°24) para iniciar el proceso de corte.
- C. Cuando haya terminado el proceso de corte, recoja el pan cortado por la parte delantera de la máquina. La tapa trasera se abre (MRZ – MRP – MRK – MRK ETL – MRF – MRP – MRQ - MRR). Si la máquina está equipada con una tapa delantera, ábrala antes de recoger el pan (opcional) (MRC – MRC ETL - MRR).

Al final del día, en las máquinas equipadas con pantalla digital (MRZ – MRP – MRK – MRK ETL – MRF – MRL – MRL ETL – MRM – MRC), pulse el botón amarillo de apagado de seguridad (fig.6, n°26). Pulse el botón rojo **de detención de emergencia (fig.1, n°5)** para apagar la máquina.

Recomendación: Después de los primeros días de trabajo, pida a una persona cualificada que compruebe la tensión de las cuchillas.

Capacidad: Número de panes cortados al día: 6 000 (según el tipo de pan).

Tamaño del pan (l x anch. x alt.) (cm):

MRZ – MRP – MRK – MRK ETL – MRQ - MRL – MRL ETL - MRC – MRC ETL

mín. 12 x 6 x 6 - máx. 44 x 30 x 18

MRM – MRF – MRR - MRQ

mín. 12 x 6 x 6 - máx. 44 x 29 x 18

Seguridad:

Abrir la tapa de seguridad trasera (fig.1, n°1) impide que la máquina funcione (MRZ – MRP – MRK – MRK ETL – MRF – MRZ – MRP – MRQ - MRR)

Abrir la tapa de seguridad delantera (fig.2, n°17) impide que la máquina funcione (MRC-MRC ETL – MRR)

Pasar por delante de las células fotoeléctricas (fig.2, n°15) impide que la máquina funcione (MRL – MRL ETL – MRM)

Un mensaje en la pantalla indica que se ha activado un mecanismo de seguridad (fig.6, n°23) (MRK – MRK ETL – MRF – MRL – MRL ETL – MRM – MRC)



8.1 Diaria por un usuario formado.

- A. Compruebe si debe vaciar la bandeja de migas
- B. Limpie las tablas con un cepillo
- C. Utilice un paño seco para limpiar el interior
- D. Para la limpieza exterior, utilice un paño húmedo

8.2 Cada 25 000 cortes y/o 1 vez al año como mínimo, por un agente autorizado

Quite el enchufe de la toma de corriente

Compruebe el estado de las cuchillas de corte

Si se percibe una bajada de la calidad de corte, es necesario sustituir las cuchillas de corte (referencia JAC: 610011, 6110001 del catálogo de Piezas de Recambio JAC)

Si se deben cambiar, hágalo de acuerdo con el procedimiento de cambio de las cuchillas de corte

NOTA: No tense las cuchillas en exceso, ya que podría deformar los marcos.

Limpie con un cepillo y aspire el interior de la máquina.

Compruebe el estado de los rodamientos y engráselos.

Engrase las articulaciones del elevador.

Compruebe que su agente autorizado registre su intervención en su tarjeta de mantenimiento para conservar su garantía de 5 años.

Complemento de mantenimiento para los modelos con engrasado

El aceite que se debe utilizar es: 7940019 (como se indica en el catálogo JAC «Piezas de Recambio»

O un aceite vegetal líquido alimentario con antioxidante natural

Cada 1000 cortes o cada 15 días, por un usuario formado:

Añada la dosis de aceite alimentario (de 100 a 150 ml) necesaria para emparar los filtros del carro (active el botón de avance de carro para permitir el acceso al tapón de suministro de aceite).

Cada 25 000 cortes y/o 1 vez al año como mínimo, por un agente autorizado:

Quite el enchufe de la toma de corriente.

Cambie los filtros del empujador.

8.3 Cambio de las cuchillas

(fig.8)

Lleve siempre guantes de protección anticorte (Norma EN 388: 2003 índice B= 5) y calzado de seguridad al sustituir la cuchilla o cuando trabaje cerca de la cuchilla.

Asegúrese de que el enchufe de su máquina está desconectado de la corriente.

Para las máquinas equipadas con tapa delantera y trasera (MRC – MRC ETL), desmonte la tapa delantera con los 4 tornillos que la sujetan (fig.7).

- A. Desmonte la chapa trasera de la máquina con ayuda de los 4 tornillos.
- B. Afloje los dos tornillos de la tabla trasera y deslícela hacia la parte trasera de la máquina para liberar la tabla delantera.

- C. Desatornille el embolsador con ayuda de la llave de la izquierda, desatornille la llave de la derecha y afloje los dos tornillos del forro.
- D. Abra el forro. Afloje los 4 tornillos de la tabla delantera y retírela.
- E. En la parte superior del marco delantero, afloje los tornillos **A** que sujetan el marco a las láminas de polipropileno (no desmonte nunca las láminas de la carcasa, ya que podría modificar los ajustes de fábrica).
- F. Empuje el marco hacia adelante. Sustituya las cuchillas del marco trasero (coloque algo para protegerse sobre las cuchillas del marco delantero). Afloje las contratueras apretadas en el tornillo **B** (MRF – MRM – MRR - MRQ) (Afloje los tornillos **B** hexagonales huecos que tensan las cuchillas. Sustituya las cuchillas comprobando que estén bien colocadas en los pasadores de los balancines. Vuelva a tensar las cuchillas apretando los tornillos **B**, teniendo como referencia para la tensión las cuchillas que han quedado en el marco. Luego, apriete las tuercas (máquina equipada con la opción de engrasado).

Para no deformar el marco y evitar roturas peligrosas, sustituya solamente entre 1 y 3 cuchillas a la vez alternando de izquierda a derecha.

Vuelva a empezar el procedimiento a partir del punto E para el marco delantero y vuelva a colocar el marco delantero y los elementos de protección.

Conecte la máquina a la red eléctrica, la máquina está lista.

Compruebe que su agente autorizado registre su intervención en su tarjeta de mantenimiento para conservar su garantía de 5 años.

9 CONSUMIBLES

Al pedir una pieza de recambio, compruebe con su agente autorizado de qué pieza se trata con base en el catálogo de piezas de recambio del fabricante.

Indique siempre el número de máquina tal y como se indica en la placa informativa.

Su agente efectuará el pedido a JAC.

9.1 Lista de CONSUMIBLES

CÓDIGO DE ARTÍCULO	ETIQUETA	MODELO
7240031	CORREA A 31	TODOS
5690010	PATÍN DE GUÍA 100 MM	TODOS
5740162	BIELETA DE MARCO	TODOS
6110001	CUCHILLA JAC 13 MM/0,5 MM	PICOMATIC 450
6110011	CUCHILLA JAC 13 MM/0,5 MM + TEFLÓN	PICOMATIC 450M
5310026	MUELLE DEL RODILLO CON ANILLO DE PLÁSTICO	PICOMATIC 450
5310030	MUELLE DEL RODILLO CON ANILLO DE ACERO INOXIDABLE	PICOMATIC 450M
5690151	PATÍN DEL RODILLO	TODOS
6530002	BANDA REFLECTANTE DE LA CÉLULA FOTOELÉCTRICA	TODOS
5690102	SOLAPAS JAC	TODOS
6120002	FIELTRO DEL EMPUJADOR	PICOMATIC 450M
BMJL001	RESORTE JACFIX	TODOS
BMJL002		

Problema	Comprobación
La máquina no gira	Conecte la máquina con el cable (fig.1, n°14)
	Desbloquee la parada de emergencia (fig.1, n°5)
	Cierre la tapa
	Cierre la puerta
La máquina funciona, pero los panes están dañados o cortados de forma irregular	Compruebe si es necesario sustituir las cuchillas (fig.7,8)
	Deje que el pan se enfríe unas horas
	Introduzca un pan con el tamaño adecuado
	Introduzca un pan lo suficientemente firme
	Si las cuchillas están desalineadas, ajuste las cuchillas y los marcos
El pan vibra en las cuchillas	Si las cuchillas están desalineadas, ajuste las cuchillas y los marcos
El pan se corta demasiado lento	Compruebe si es necesario sustituir las cuchillas (fig.7,8)
	Compruebe que los muelles del rodillo están bien colocados (fig.10, n°32)
El pan se rompe	Si las cuchillas están desalineadas, ajuste las cuchillas y los marcos
	Compruebe que los muelles del rodillo están bien colocados (fig.10, n°32)
El pan sale muy lentamente o se queda en las cuchillas	Compruebe que los muelles del rodillo están bien colocados (fig.10, n°32)
El pan está aplastado al salir de las cuchillas	Quite un muelle del rodillo y vuelva a empezar su prueba (fig.10, n°32)

ATENCIÓN: Para cualquier intervención, la máquina deberá estar desenchufada obligatoriamente.



Si el problema persiste, póngase en contacto con su técnico.

11 CÓDIGOS DE ERROR

11.1 Máquinas están equipadas con una pantalla (MRK – MRK ETL – MRF – MRL – MRL ETL – MRM – MRC)

Mensaje mostrado en pantalla	Descripción del problema	Acción
¡STOP! CÉLULA FOTOELÉCTRICA COMPROBAR	Cableado de la célula fotoeléctrica (S5) cortado	Reinicie la máquina con la detención de emergencia (fig.1, n°10). Si el problema persiste, póngase en contacto con su técnico.
PARADA, CAJÓN ABIERTO CIERRE EL CAJÓN	Bandeja de migas (S7) abierta	
PARADA, SOBRECALENTAMIENTO DEL MOTOR ¡ESPERE!	Térmico del motor de la cuchilla (F3) activado	
PULSE START PARA COLOCAR LA MÁQUINA EN POSICIÓN INICIAL	El rodillo no está en su posición inicial (S1)	
TAPA ABIERTA CIERRE LA TAPA	Tapa de seguridad abierta (S6)	
LLENE EL DEPÓSITO DE ACEITE DE CORTE	Es necesario añadir aceite al empujador de panes	
QUEDAN 0 CORTES ANTES DE SUSTITUIR LAS CUCHILLAS	Es necesario sustituir las cuchillas	



Si el problema persiste, póngase en contacto con su técnico.

12 LISTA DE COMPONENTES DE LAS FIGURAS

Figura	Número	Nombre
	1	Tapa trasera
1	2	Embolsador
	3	Empujador de pan
	4	Forro
	5	Botón de detención de emergencia
	6	Rodillo
	7	Tabla delantera
	8	Zócalo con ruedas (opcional)
	9	Ruedas con freno
	10	Interruptor de seguridad de la tapa trasera
	11	Llave
	12	Tabla trasera
	13	Chapa trasera
	14	Cable de alimentación
	2	15
16		Pantalla digital (MRK – MRK ETL – MRF – MRL – MRL ETL – MRM – MRC)
17		Tapa delantera (opcional)
18		Interruptor de seguridad de la tapa delantera
3	19	Área de trabajo
4	20	Tornillo de montaje del zócalo con ruedas
	21	Silentbloc del zócalo con ruedas
	22	Tuerca de ajuste del zócalo con ruedas
6	23	Pantalla digital
	24	Encendido de la pantalla (MRK – MRK ETL – MRF – MRL – MRL ETL – MRM – MRC)
	25	Botón de programación (MRK – MRK ETL – MRF – MRL – MRL ETL – MRM – MRC) (reservado a un técnico)
	26	Apagado de la pantalla (MRK – MRK ETL – MRF – MRL – MRL ETL – MRM – MRC)
	27	Reseteo de la puesta a nivel de aceite (MRM – MRF)
9	28	Señal «riesgo mecánico»
	29	Señal «riesgo de corte»
	30	Esquema eléctrico
	31	Señal «riesgo de electrocución»
10	32	Muelle de rodillo extraíble
	33	Tope ajustable de embolsador



1	PRIMA DELLA MESSA IN FUNZIONE	90
2	GARANZIA.....	90
3	AVVERTENZE	91
4	CARATTERISTICHE TECNICHE	92
4.1	<i>Caratteristiche tecniche</i>	92
4.2	<i>Dettaglio materiali a contatto con il pane</i>	93
5	INSTALLAZIONE E MESSA IN FUNZIONE.....	93
5.1	<i>Disimballo della macchina:</i>	93
5.2	<i>Posizionamento:.....</i>	94
5.3	<i>Collegamento elettrico:.....</i>	94
5.4	<i>Messa in servizio:.....</i>	95
5.5	<i>Pericolo:.....</i>	95
6	ORGANO DI COMANDO E DI SICUREZZA	95
6.1	<i>Organo di comando:</i>	95
6.2	<i>Zona di lavoro:.....</i>	95
6.3	<i>Organi di sicurezza:.....</i>	96
7	UTILIZZO	96
8	MANUTENZIONE.....	97
8.1	<i>Quotidiana da parte di un utilizzatore addestrato.....</i>	97
8.2	<i>Ogni 25.000 tagli e/o 1 volta l'anno almeno, da parte di un tecnico autorizzato.....</i>	97
8.3	<i>Sostituzione delle lame.....</i>	98
9	COMPONENTI DI CONSUMO.....	98
9.1	<i>Elenco dei COMPONENTI DI CONSUMO</i>	99
10	INCIDENTI DI FUNZIONAMENTO	100
11	CODICI DI ERRORE	101
11.1	<i>Macchine dotate di un display (MRK – MRK ETL – MRF – MRL – MRL ETL – MRM – MRC).....</i>	101
12	ELENCO DEI COMPONENTI INDICATI NELLE FIGURE	102

1 PRIMA DELLA MESSA IN FUNZIONE

Grazie per aver scelto una soluzione JAC. Si invita a leggere con attenzione queste note informative prima di procedere all'installazione e alla messa in servizio di questa macchina. Contengono informazioni su come proteggersi e come evitare il deterioramento della macchina.

Queste informazioni fanno riferimento a diverse figure, in modo da facilitare la comprensione delle istruzioni. Le figure si trovano al fondo delle informazioni. Si invita a farvi riferimento quando si incontrano i seguenti simboli (fig. X, n. Y).

Per una totale soddisfazione dall'utilizzo della macchina nei prossimi anni, si invita a tenere presenti i seguenti consigli:

- Farsi aiutare dal tecnico autorizzato per l'installazione, la messa in servizio e il follow-up.
- Per beneficiare della garanzia di 5 anni (vedere le condizioni riportate in seguito), far compilare dal distributore, il libretto di manutenzione al momento dell'installazione della macchina. Il libretto di manutenzione si trova nella parte posteriore della macchina.

2 GARANZIA



JAC offre una garanzia di 5 anni su tutti i suoi prodotti.

Questa garanzia è valida su tutte le parti della macchina, comprese quelle elettroniche, a parte i componenti di consumo. La garanzia entra in vigore a partire dalla data di installazione del materiale.

Secondo le seguenti condizioni restrittive:

- Materiale acquistato presso un rivenditore autorizzato;
- Installazione effettuata da un tecnico autorizzato;
- Utilizzo del materiale conformemente alle indicazioni sul modo di utilizzo e nel rispetto della finalità per la quale è stato fabbricato;
- Materiale quotidianamente mantenuto nel rispetto delle indicazioni delle modalità di utilizzo;
- Manutenzioni successive da parte del tecnico autorizzato conformemente alle specifiche di manutenzione con, al minimo, una manutenzione l'anno (manutenzione a carico dell'utente).
- L'utilizzo esclusivo di parti originali JAC.



Se non si eseguono interventi di manutenzione da parte di un tecnico autorizzato e/o il libretto di manutenzione non è correttamente completato, la garanzia si limita ad un anno.

Questa garanzia non copre:

- La sostituzione dei componenti di consumo (§9);
- Le parti non riconosciute difettose dai nostri servizi;
- I problemi derivanti da un utilizzo anomalo del materiale;
- I problemi derivanti da un'installazione non effettuata da un tecnico autorizzato;

- Le parti o i problemi derivanti da un danno di trasporto o da una manutenzione inadeguata.

Una riparazione e/o una sostituzione di parti difettose effettuate durante il periodo di garanzia non producono l'effetto di prolungare detta garanzia.

3 AVVERTENZE

È molto importante che le istruzioni per l'utilizzo siano conservate con l'apparecchio per ogni consultazione futura. Se questo macchinario deve essere venduto o trasferito ad un'altra persona, accertarsi che le istruzioni per l'utilizzo siano consegnate all'utente destinatario in modo che possa essere informato sul funzionamento e sui messaggi di avvertenza ad esso riferiti.



Tali avvertenze sono fornite per la vostra sicurezza e per quella altrui. Si prega di leggerle con attenzione prima di installare e utilizzare il macchinario.

Questa macchina è stata progettata per essere utilizzata da adulti autorizzati. Accertarsi quindi che i bambini non le si avvicinino e che non la utilizzino come un giocattolo.

Questa macchina è destinata unicamente ad un uso professionale.

È pericoloso modificare o provare a modificare le caratteristiche di questa macchina.

Accertarsi dopo averla installata, che non appoggi sul cavo di alimentazione.

Seguire le istruzioni fornite per l'utilizzo.

Questa macchina deve essere sistemata e utilizzata all'interno di un locale, al riparo da umidità e calore.

Deve essere illuminata a sufficienza per poter funzionare.

La macchina produce un livello di rumore inferiore a 75 dB(A), conforme alla norma EN ISO 3744.

La macchina deve essere utilizzata da una sola persona per volta (salvo prescrizioni contrarie).

Questa macchina è destinata al taglio del pane cotto e raffreddato.



Questa macchina non è destinata ai seguenti materiali e tipi di pane:

- Pane caldo, pane raffermo
- Pane congelato, o parzialmente scongelato
- Pane integrale con una crosta dura e altri tipi di pane a crosta dura
- Pane di segale
- Prodotti non commestibili come legno, plastica e materiali simili
- Ogni alimento che non fa parte della categoria dei tipi di pane o delle torte

La macchina si può danneggiare con il taglio di pani o materiali non autorizzati.



Staccare sempre il cavo di alimentazione prima di procedere alla pulizia interna/esterna del macchinario e alle operazioni di manutenzione.

Questo macchinario è pesante. Adottare tutte le precauzioni di sicurezza al momento della manutenzione.

4 CARATTERISTICHE TECNICHE

4.1 Caratteristiche tecniche

	PICOMATIC 450	PICOMATIC 450 M
Altezza (mm)	722	722
Altezza con coperchio (mm)	880	880
Altezza con base (mm)	1346	1346
Altezza con base e coperchio (mm)	1500	1500
Larghezza (mm)	607	607
Profondità (mm)	682	682
Altezza del canale d'ingresso (mm)	300	290
Larghezza del canale d'ingresso (mm)	440	440
Altezza del canale d'ingresso (mm)	180	180
Imballaggio (mm)	800 x 860 x 800	800 x 860 x 800
Peso netto (kg)	105	115
Peso NETTO + imballaggio (kg)	125	135
Potenza motore (kW)	0,49	1,5
Tipo di motore	Monofase o trifase	Trifase
220v - 50Hz (A)	5	5
380v - 50Hz (A)	3,2	3,2
Capacità (forme di pane/ora)	200<500	200<500
Livello sonoro (dB)	<75	<75

Motore rinforzato	opzionale
Display digitale	opzionale
Base con ruote	opzionale
Coperchio di sicurezza anteriore	opzionale
Fetta doppia	opzionale
Colore speciale	opzionale
Coltelli speciali	opzionale
Cellule	opzionale

4.2 Dettaglio materiali a contatto con il pane.

Ripiano di alimentazione: INOX 430

Spingipane: INOX 430

Premipane: INOX 430

Lame: Acciaio

Ripiano d'uscita: INOX 430

Insacchettatrice: INOX 430

5 **INSTALLAZIONE E MESSA IN FUNZIONE**

5.1 Disimballo della macchina:

Le macchine sono consegnate, franco fabbrica, su pallet, legate con cinghie e protette con pannelli di cartone. Prima di tutto, occorre esaminare l'imballaggio e ogni danno dovuto al trasporto deve essere dichiarato direttamente all'addetto alla consegna.

- A. Togliere il cartone e il sacchetto d'imballaggio dalla macchina.
- B. Togliere le cinghie facendo particolare attenzione allo sgancio di queste ultime durante il taglio.
- C. Staccare la macchina dal pallet togliendo i listelli di legno che bloccano le ruote.
- D. Far scendere la macchina del pallet. Accertarsi di essere almeno in due per questa operazione per ammortizzare al meglio il contatto con il terreno.
- E. Posizionare il riscontro regolabile dell'insacchettatrice su quest'ultima (fig. 10, n. 33)

Dopo il disimballo della macchina, verificare che non abbia subito danni durante il trasporto. Segnalare ogni anomalia.

Se la macchina è consegnata con una base (opzionale):

- A. Montare le ruote fornite sulla base facendo attenzione a montare davanti le ruote con freno
- B. Posare, essendo almeno in due persone, la macchina sulla base
- C. Togliere il cassetto raccogli-briciole dalla macchina.
- D. Inserire le silentblock tra la macchina e la base (fig. 4, n. 21)
- E. Inserire dall'interno della macchina, le viti (fig. 4, n. 20) e le rondelle fornite nei fori previsti a tal fine nel telaio della macchina
- F. Passare le viti attraverso la macchina, i silentblock e la base e serrare l'insieme con i dadi forniti (fig. 4, n. 22)

5.2 Posizionamento:

Per ottenere performance eccellenti e affidabilità a lungo termine, scegliere una posizione:

Ben ventilata, al riparo dai raggi solari diretti e lontano da fonti di calore, con una superficie robusta e priva di vibrazioni.

5.3 Collegamento elettrico:

IMPORTANTE: Messa a terra obbligatoria.

Si consiglia di proteggere l'impianto con un fusibile e un salvavita.

L'impianto elettrico che alimenta la macchina deve essere protetto secondo quanto indicato qui di seguito:

- Nord America: Protezione 15A;
- Resto del mondo: Protezione 16A.

Le macchine dotate di variatore, devono necessariamente essere collegate ad una scatola di derivazione su di una linea dotata di salvavita da 300 mA.

Nota: Ogni problema derivante da un altro tipo di collegamento non sarà preso in considerazione ai fini della garanzia.

Prima di collegare la macchina alla rete e onde evitare una dismissione del motore all'avvio, è importante verificare la compatibilità della rete di alimentazione con le caratteristiche della macchina (vedere la relativa targa segnaletica).

Questo apparecchio è conforme alla direttiva Macchine 2006/42, 2006/95, 2004/108 e reca la marcatura CE che attesta detta conformità.

Si invita a prendere visione della segnaletica di sicurezza che figura sulla macchina:



Segnale che indica un rischio di taglio. Si trova davanti alla macchina nella zona di deposito del pane (fig. 9, n. 29).

Sul retro della porta del quadro elettrico si trova lo schema elettrico della macchina (fig. 9, n. 30).



Segnale che indica un rischio di folgorazione. Scollegare il cavo di alimentazione prima di qualsiasi intervento sulla macchina. Si trova nella parte posteriore della macchina vicino al cavo di alimentazione e all'interno della macchina sul quadro elettrico (fig. 9, n. 31).



Segnale che indica un rischio di contatto con la meccanica in movimento. Si trova sulla porta anteriore (fig. 9, n. 28).

5.4 Messa in servizio:

Prima della messa in servizio, accertarsi che non vi siano oggetti estranei sulle parti in movimento della macchina.

Per l'utilizzo della macchina, fare riferimento al capitolo "Utilizzo".

5.5 Pericolo:

In caso di pericolo per l'utente o per la macchina, utilizzare l'interruttore generale per interrompere l'alimentazione della macchina.

Estrarre la spina della presa elettrica prima di ogni operazione di manutenzione o di assistenza. Non toccare la lama, anche all'arresto.

Per la sostituzione della lama, rivolgersi al distributore autorizzato.

Indossare sempre guanti di protezione anti-taglio per la sostituzione della lama o per un'operazione nelle vicinanze della lama.

Ogni operazione di manutenzione o sostituzione delle parti deve essere effettuata da una persona qualificata.

6 ORGANO DI COMANDO E DI SICUREZZA

6.1 Organo di comando:

La taglierina è dotata di serie di un pulsante di arresto d'emergenza (fig. 1, n. 5)

Alcune macchine sono dotate di display digitale (fig. 6) (MRK – MRK ETL – MRF – MRL – MRL ETL – MRM – MRC) che consente:

- Di alimentare lo schermo della macchina (fig. 6, n. 24)
- Di scollegare lo schermo della macchina (fig. 6, n. 26)
- Di resettare il contatore di taglio per le macchine che ne sono dotate premendo contemporaneamente per 5 secondi i due pulsanti situati sotto il logo ISC (fig. 6, n. 25)
- Di resettare il contatore dell'olio (MRF – MRM) (fig. 6, n. 27)
- Di programmare le diverse regolazioni della macchina (operazione riservata ad un tecnico autorizzato) (fig. 6, n. 25)

Questo display indica:

- Il numero di tagli effettuati
- Se le lame devono essere sostituite
- Se una sicurezza è stata attivata

6.2 Zona di lavoro:

La zona di lavoro si trova davanti alla macchina (fig. 3 n. 19)

6.3 Organi di sicurezza:

Se la macchina ne è dotata, la chiusura del coperchio superiore aziona la messa in funzione della macchina. L'apertura del coperchio arresta la macchina (fig. 1, n. 1) (MRZ – MRP – MRK – MRK ETL – MRF – MRP – MRQ).

Questa macchina è dotata:

Di un interruttore di sicurezza (fig. 1, n. 10) che impedisce alla macchina di funzionare quando il coperchio posteriore (fig. 1, n. 10) (MRZ – MRP – MRK – MRK ETL – MRF – MRP – MRQ - MRR) è aperto.

Di un interruttore di sicurezza (fig. 2, n. 18) che impedisce alla macchina di funzionare quando il coperchio anteriore (fig. 2, n. 17) (opzionale) (MRC – MRC ETL - MRR) è aperto.

Di una cellula fotoelettrica (fig. 2, n. 15) che impedisce il funzionamento della macchina se il fascio è interrotto (opzionale) (MRL – MRL ETL – MRM).

7 UTILIZZO

Per l'utilizzo, se la macchina è dotata di base (fig. 1, n. 8) (opzionale), le ruote provviste di freno devono essere bloccate (fig. 1, n. 9).

Ad inizio giornata, alimentare la macchina tramite l'arresto d'emergenza. (fig. 1, n. 5)

Per le macchine dotate di display digitale (fig. 6) (MRK – MRK ETL – MRF – MRL – MRL ETL – MRM – MRC), premere il pulsante verde di alimentazione (fig. 6, n. 24).

Procedura di utilizzo (fig. 5)

- A. Posizionare il pane sul ripiano posteriore, tra le lame e la parte mobile.
- B. Chiudere il coperchio posteriore (MRZ – MRP – MRK – MRK ETL – MRF – MRP – MRQ - MRR), questa azione mette in moto la macchina. Se la macchina è dotata di cellule fotoelettriche (opzionale) (MRL – MRL ETL – MRM) premere il pulsante verde (fig. 6, n. 24) per avviare il processo di taglio.
- C. Una volta terminato il processo di taglio, recuperare il pane tagliato dalla parte anteriore della macchina. Il coperchio posteriore si apre (MRZ – MRP – MRK – MRK ETL – MRF – MRP – MRQ - MRR). Se la macchina è dotata di coperchio anteriore, aprirlo prima di recuperare il pane (opzionale) (MRC – MRC ETL - MRR).

Per le macchine dotate di display digitale (MRZ – MRP – MRK – MRK ETL – MRF – MRL – MRL ETL – MRM – MRC), premere il pulsante giallo di sicurezza di alimentazione (fig. 6, n. 26). Premere il pulsante rosso **d'arresto d'emergenza** (fig. 1, n. 5) per togliere l'alimentazione alla macchina.

Consiglio: Dopo i primi giorni di lavoro, far controllare la tensione delle lame da una persona qualificata.

Capacità: Numero di forme di pane tagliate al giorno: 6.000 (a seconda del tipo di pane).

Dimensioni del pane (L x l x h) (cm):

MRZ – MRP – MRK – MRK ETL – MRQ - MRL – MRL ETL - MRC – MRC ETL

min. 12 x 6 x 6 - max. 44 x 30 x 18

MRM – MRF – MRR - MRQ

min. 12 x 6 x 6 - max. 44 x 29 x 18

Sicurezza:

L'apertura del coperchio di sicurezza posteriore (fig. 1, n. 1) impedisce il funzionamento della macchina (MRZ – MRP – MRK – MRK ETL – MRF – MRZ – MRP – MRQ - MRR)

L'apertura del coperchio di sicurezza anteriore (fig. 2, n. 17) impedisce il funzionamento della macchina (MRC-MRC ETL – MRR)

Passare davanti alle cellule fotoelettriche (fig. 2, n. 15) impedisce il funzionamento della macchina (MRL – MRL ETL – MRM)

L'attivazione di una sicurezza è segnalata da un messaggio sul display (fig. 6, n. 23) (MRK – MRK ETL – MRF – MRL – MRL ETL – MRM – MRC).

8 MANUTENZIONE

8.1 Quotidiana da parte di un utilizzatore addestrato.

- A. Verificare se occorre svuotare il cassetto raccogli-briciole
- B. Pulire i ripiani con una spazzola
- C. Utilizzare un panno asciutto per la pulizia interna
- D. Per la manutenzione esterna, utilizzare un panno umido

8.2 Ogni 25.000 tagli e/o 1 volta l'anno almeno, da parte di un tecnico autorizzato.

Staccare la presa della corrente

Verificare lo stato delle lame da taglio

Se si nota un deterioramento della qualità del taglio occorre procedere alla sostituzione delle lame da taglio (riferimento JAC: 610011, 6110001 del catalogo di Parti di ricambio JAC)

Se sono da cambiare, sostituire le lame nel rispetto della procedura di sostituzione delle lame da taglio

N.B.: Non tendere eccessivamente le lame, altrimenti si rischia di deformare i telai.

Pulire con una spazzola e aspirare l'interno della macchina.

Verificare lo stato dei cuscinetti, quindi lubrificarli.

Ingrassare le articolazioni del martinetto.

Verificare attentamente che il tecnico autorizzato registri l'intervento sul libretto di manutenzione al fine di mantenere la garanzia di 5 anni.

Complemento di manutenzione per i modelli con lubrificazione

**L'olio da utilizzare è: 7940019 (come menzionato nel catalogo JAC "parti separate")
O un olio vegetale liquido alimentare con antiossidante naturale**

Ogni 1000 tagli o ogni 15 giorni, da parte di un utilizzatore addestrato:

Aggiungere le dosi di olio alimentare (da 100 a 150 ml) necessario per imbire i feltri del CARRELLO (azionare il pulsante di avanzamento carrello per consentire l'accesso al bocchettone di alimentazione dell'olio);

Ogni 25.000 tagli e/o 1 volta l'anno almeno, da parte di un tecnico autorizzato:

Staccare la presa della corrente;

Sostituire i feltri dello spingitore.

8.3 Sostituzione delle lame.

(Fig. 8)

Far sempre attenzione ad indossare guanti di protezione anti-taglio (Norma EN 388: 2003 indice B= 5) e scarpe di sicurezza al momento della sostituzione della lama o di un'operazione vicino alla lama. Accertarsi che la presa della macchina sia ben scollegata dalla corrente.

Per le macchine dotate di coperchio anteriore e posteriore (MRC – MRC ETL), smontare il coperchio mediante le 4 viti che lo mantengono (fig. 7).

- A. Smontare la lamiera posteriore della macchina mediante le 4 viti.
- B. Svitare le due viti del ripiano posteriore e farlo scivolare verso il retro della macchina per liberare il ripiano anteriore.
- C. Svitare l'insacchettatrice tramite la manopola di sinistra, quella di destra, e svitare le due viti della cuffia.
- D. Aprire la cuffia. Svitare le 4 viti del ripiano anteriore ed estrarlo.
- E. Nella parte superiore del telaio anteriore, allentare le viti **A** che fissano il telaio alle lamelle di polipropilene (non smontare mai le lamelle della struttura, altrimenti si rischia di modificare le regolazioni del produttore).
- F. Adagiare il telaio in avanti. Sostituire le lame del telaio posteriore (protegersi dalle lame del telaio anteriori). Allentare i controdadi avvitati sulle viti **B** (MRF – MRM – MRR - MRQ) (Svitare le viti **B** 6 ad esagono che tendono le lame.) Sostituire le lame controllando che siano ben posizionate nella sporgenza dei bilancieri. Ridistendere le lame serrando le viti **B**, avendo come riferimento per la tensione le lame rimaste sul telaio. Quindi serrare i dadi (macchina dotata dell'opzione lubrificazione).

Per non deformare il telaio e non rischiare rotture pericolose, non sostituire più di 1 - 3 lame per volta alternando da sinistra a destra.

Ricominciare la procedura dal punto E per il telaio anteriore e rimontare il telaio anteriore e gli elementi di rivestimento.

Collegare la macchina alla rete elettrica, la macchina è pronta.

Verificare attentamente che il tecnico autorizzato registri l'intervento sul libretto di manutenzione al fine di mantenere la garanzia di 5 anni.

9 COMPONENTI DI CONSUMO

Al momento dell'ordine di parti di ricambio, verificare con il tecnico autorizzato di quale parte si tratta in base al catalogo delle parti di ricambio emesso dal fabbricante.

Precisare sempre il codice della macchina indicato sulla targa segnaletica.

Il tecnico effettua gli ordini presso JAC.

9.1 Elenco dei COMPONENTI DI CONSUMO

CODICE ARTICOLO	VERSIONE	MODELLO
7240031	CINGHIA A 31	TUTTE
5690010	PATTINO DI GUIDA 100MM	TUTTE
5740162	BIELLETTA DEL TELAIO	TUTTE
6110001	COLTELLO JAC 13MM/0,5MM	PICOMATIC 450
6110011	COLTELLO JAC 13MM/0,5MM + TEFLON	PICOMATIC 450M
5310026	MOLLA PREMIPANE ANELLO IN PLASTICA	PICOMATIC 450
5310030	MOLLA PREMIPANE ANELLO INOX	PICOMATIC 450M
5690151	PATTINO PREMIPANE	TUTTE
6530002	STRISCIA RIFLETTENTE CELLULA FOTOELETTRICA	TUTTE
5690102	JAC FLAPS	TUTTE
6120002	FELTRO SPINGITORE	PICOMATIC 450M
BMJL001 BMJL002	PRIMAVERA JACFIX	TUTTE

Problema	Verifica
La macchina non funziona	Collegare la macchina con un cavo (fig. 1 n. 14)
	Sbloccare l'arresto d'emergenza (fig. 1, n.5)
	Chiudere il coperchio
	Chiudere lo sportello
La macchina funziona, ma le forme di pane sono danneggiate o tagliate in modo irregolare	Verificare se occorre sostituire le lame (fig. 7, 8)
	Lasciar raffreddare la forma di pane per alcune ore
	Introdurre una forma di dimensioni accettate
	Introdurre una forma molto soda
	Se le lame sono disallineate, regolare le lame e i telai
Il pane vibra tra le lame	Se le lame sono disallineate, regolare le lame e i telai
Il pane si taglia troppo lentamente	Verificare se occorre sostituire le lame (fig. 7, 8)
	Verificare se le molle del premipane sono nella posizione corretta (fig. 10, n. 32)
Il pane si strappa	Se le lame sono disallineate, regolare le lame e i telai
	Verificare se le molle del premipane sono nella posizione corretta (fig. 10, n. 32)
Il pane esce molto lentamente o rimane tra le lame	Verificare se le molle del premipane sono nella posizione corretta (fig. 10, n. 32)
Il pane è schiacciato all'uscita dalle lame	Togliere una molla del premipane e ricominciare la prova (fig. 10, n. 32)

ATTENZIONE: Per ogni intervento, la macchina deve obbligatoriamente essere scollegata dall'alimentazione.



Se il problema persiste, contattare il proprio tecnico.

11 CODICI DI ERRORE

11.1 Macchine dotate di un display (MRK – MRK ETL – MRF – MRL – MRL ETL – MRM – MRC)

Messaggio visualizzato sul display	Descrizione del problema	Intervento
STOP! CELLULA FOTOELETTRICA VERIFICARE	Fasci della cellula fotoelettrica (S5) interrotti	Riavviare la macchina con il pulsante di arresto d'emergenza (fig. 1 n. 10). Se il problema persiste, contattare il proprio tecnico.
ARRESTO CASSETTO APERTO CHIUDERE IL CASSETTO	Cassetto raccogli-briciole (S7) aperto	
ARRESTO SURRISCALDAMENTO MOTORE ATTENDERE!!!	Termica del motore delle lame (F3) attivata	
PREMERE START PER RIPOSIZIONARE LA MACCHINA	Spingipane non in posizione iniziale (S1)	
COPERCHIO APERTO CHIUDERE IL COPERCHIO	Coperchio di sicurezza aperto (S6)	
RIEMPIRE IL SERBATORIO D'OLIO DA TAGLIO	Aggiunta di olio necessaria nello spingipane	
RIMANGONO ANCORA 0 TAGLI SOSTITUZIONE DELLE LAME	Sostituzione dei coltelli necessaria.	



Se il problema persiste, contattare il proprio tecnico

12 ELENCO DEI COMPONENTI INDICATI NELLE FIGURE

Figura	Numero	Nome
	1	Coperchio posteriore
1	2	Insacchettatrice
	3	Spingipane
	4	Cuffia
	5	Pulsante di arresto d'emergenza
	6	Premipane
	7	Ripiano anteriore
	8	Base su ruote (opzionale)
	9	Rotelle frenanti
	10	Interruttore di sicurezza coperchio posteriore
	11	Manopola
	12	Ripiano posteriore
	13	Lamiera posteriore
	14	Cavo di alimentazione
	2	15
16		Display digitale (MRK – MRK ETL – MRF – MRL – MRL ETL – MRM – MRC)
17		Coperchio anteriore (opzionale)
18		Interruttore di sicurezza coperchio anteriore
3	19	Zona di lavoro
4	20	Vite di assemblaggio base su ruote
	21	Base su ruote Silentblock
	22	Dado di serraggio base su ruote
6	23	Schermo digitale
	24	Alimentazione del display (MRK – MRK ETL – MRF – MRL – MRL ETL – MRM – MRC)
	25	Tasto di programmazione (MRK – MRK ETL – MRF – MRL – MRL ETL – MRM – MRC) (riservato al tecnico)
	26	Scollegamento del display (MRK – MRK ETL – MRF – MRL – MRL ETL – MRM – MRC)
	27	Reset della messa a livello dell'olio (MRM – MRF)
9	28	Segnale "rischio meccanico"
	29	Segnaletica "rischio di taglio"
	30	Schema elettrico
	31	Segnaletica "rischio di folgorazione"
10	32	Molla del premipane amovibile
	33	Riscontro regolabile dell'insacchettatrice

104.....	قبل التشغيل	1
104.....	الضمان	2
105.....	تنبيهات	3
106.....	المواصفات الفنية	4
106.....	المواصفات الفنية	4.1
106.....	تفاصيل الخامات الملامسة للخبز	4.2
107.....	التركيب والتشغيل	5
107.....	فك تغليف الألة:	5.1
107.....	الموضع:	5.2
107.....	التوصيل الكهربى:	5.3
108.....	التشغيل:	5.4
108.....	خطر:	5.5
109.....	جهاز التحكم والأمان	6
109.....	جهاز التحكم:	6.1
109.....	منطقة عمل:	6.2
109.....	أجهزة الأمان:	6.3
110.....	الاستخدام	7
111.....	الصيانة	8
111.....	يومية بواسطة مستخدم مدرب	8.1
111.....	كل 25000 مرة تقطيع للخبز و/ أو مرة واحدة على الأقل كل عام بواسطة وكيل معتمد	8.2
111.....	تغيير الشفرات	8.3
112.....	قطع المستهلكات	9
112.....	قائمة بالمستهلكات	9.1
113.....	الأحداث العارضة أثناء التشغيل	10
114.....	رموز الخطأ	11
114.....	بعض الآلات مزودة بشاشة (MRK – MRK ETL – MRF – MRL – MRL ETL – MRM – MRC)	11.1
115.....	قائمة بالمكونات الموجودة في الأشكال	12

نشكركم لاختياركم حلول JAC. تأكد من قراءة دليل الاستخدام هذا قبل تركيب وتشغيل هذه الآلة. يمكنك أن تحمي نفسك وتتجنب هكذا أن تتلف الآلة.

يشير هذا الدليل إلى أشكال مختلفة من أجل تسهيل فهم التعليمات. هذه الأشكال موجودة في نهاية الدليل. يُرجى الرجوع إليها ما إن ترى الرموز التالية (شكل كذا، رقم كذا).

من أجل أن تكون راضيًا تمامًا عن أداء هذه الآلة خلال السنوات القادمة، ندعوك إلى الاطلاع على النصائح التالية:

- استعن بوكيل معتمد من أجل التركيب والتشغيل والمتابعة.

- من أجل الاستفادة من الضمان ومدته 5 سنوات (انظر الشروط المذكورة بعد)، قم بواسطة الموزع، باستكمال دفتر الصيانة أثناء تركيب الآلة. يوجد دفتر الصيانة خلف الآلة.

2 الضمان

تقدم شركة JAC ضمانًا على كل منتجاتها مدته 5 سنوات.



يسري هذا الضمان على كل قطع الآلة، بما فيها القطع الإلكترونية، دون المستهلكات. يسري الضمان من تاريخ تركيب المعدة.

بحسب الشروط المقيدة التالية:

- تم شراء المعدة من موزع معتمد؛
- تم التركيب بمعرفة وكيل معتمد؛
- استخدام المعدة وفقًا لتعليمات دليل الاستخدام وفي الغرض التي صنعتت من أجل؛
- يتم صيانة المعدة يوميًا وفقًا لإرشادات دليل الاستخدام؛
- يتابع الصيانة الوكيل المعتمد وفقًا لشروط الصيانة، مع إجراء الصيانة مرة في العام، على الأقل (الصيانة على حساب المستخدم).
- الاستخدام الحصري لقطع الغيار الأصلية من JAC.



إذا لم يكن يوجد صيانة من وكيل معتمد و/أو أن دفتر الصيانة غير مكتمل بشكل صحيح، تقتصر فترة الضمان على عام واحدة.

علمًا بأن الضمان لا يشمل:

- استبدال المستهلكات (فقرة 9)؛
- قطع الغيار التي لم يقر قسم الخدمة الفنية بأنها تالفة؛
- المشاكل الناجمة عن الاستخدام غير السليم للمعدة؛
- المشاكل الناجمة عن تركيب لم يتم بمعرفة وكيل معتمد؛
- قطع الغيار أو المشاكل الناجمة عن تلف أثناء النقل أو المناولة غير المناسبة.

ليس من شأن الإصلاح و/أو الاستبدال لقطع الغيار التالفة الذي يتم خلال مدة الضمان أن يمدد هذا الضمان.

من المهم جدًا حفظ دليل الاستخدام هذا مع الجهاز للاطلاع عليه في المستقبل. إذا كان سيتم بيع أو نقل هذا الجهاز إلى شخص آخر، تأكد أن يتم إعطاء دليل الاستخدام هذا بحيث يستطيع المستخدم معرفة تشغيله والتنبيهات المتعلقة به.

تم إعطاء هذه التنبيهات حرصًا على سلامتك وعلى سلامة الآخرين. برجاء قراءتها بانتباه قبل تركيب واستخدام الجهاز.
تم تصميم هذه الآلة لكي يستخدمها أشخاص بالغين مسموح لهم باستخدامها. يرجى ألا يلمسها الأطفال أو أن يستخدموها كلعبة.



هذه الآلة مخصصة حصريًا للاستخدام المهني.

من الخطر تعديل أو محاولة تعديل مواصفات هذه الآلة.

بعد تركيب الآلة، تأكد أنها لا تستند على كابل كهرباء.

اتبع التعليمات المعطاة من أجل الاستخدام.

يجب تخزين واستخدام هذه الآلة داخل مكان، بعيدًا عن الرطوبة والحرارة.

يجب أن يكون هناك إضاءة كافية لهذه الآلة للقيام بالعمل.

مستوى صوت هذه الآلة أقل من 75 ديسيبل وفقًا للمعيار EN ISO 3744.

يجب أن يستخدم هذه الآلة شخص واحد في الوقت الواحد (ما لم يوجد تعليمات مخالفة).

هذه الآلة مخصصة لتقطيع الخبز الناضج والمعتدل الحرارة.

هذه الآلة غير مخصصة لأنواع الخبز والخامات التالية:

- الخبز الساخن، الخبز البائت
- الخبز المجمد، أو تم إزالة تجميده جزئيًا
- الخبز الكامل بقشرة صلبة وأنواع أخرى من الخبز ذو القشرة الصلبة
- خبز الجاودار
- منتجات غير غذائية مثل الخشب والبلاستيك والخامات الشبيهة
- أي طعام لا ينتمي لفئة الخبز أو الكعك

يمكن أن تتلف الآلة أثناء قطع الخبز أو الخامات غير المصرح بها.



افصل دائمًا التيار الكهربائي قبل القيام بالتنظيف الداخلي/الخارجي للجهاز وقبل عمليات الصيانة.

هذا الجهاز ثقيل الوزن. اتخذ كل احتياطات الأمان أثناء مناولته.



PICOMATIC 450 M	PICOMATIC 450	
722	722	الارتفاع (مم)
880	880	الارتفاع مع الغطاء (مم)
1346	1346	الارتفاع مع القاعدة (مم)
1500	1500	الارتفاع مع القاعدة والغطاء (مم)
607	607	العرض (مم)
682	682	العمق (مم)
290	300	عرض قناة الإدخال (مم)
440	440	عرض قناة الإدخال (مم)
180	180	ارتفاع قناة الإدخال (مم)
800 × 860 × 800	800 × 860 × 800	الحجم (مم)
115	105	الوزن الصافي (كجم)
135	125	الوزن الصافي + عبوة التغليف (كجم)
1.5	0.49	قوة الموتور (كيلو واط)
ثلاثي الأطوار (3 فازه)	أحادي الطور أو ثلاثي الأطوار (1 فازه أو 3 فازه)	نوع الموتور
5	5	220 فولت - 50 هرتز (A)
3.2	3.2	380 فولت - 50 هرتز (A)
500 > 200	500 > 200	سعة (الخيز/ساعة)
75 >	75 >	المستوى الصوتي (ديسيبل)

اختياري	موتور مَقْوَى
اختياري	شاشة رقمية
اختياري	القاعدة بعجل
اختياري	غطاء أمان أمامي
اختياري	شريحة مزدوجة
اختياري	لون خاص
اختياري	سكاكين خاصة
اختياري	خلايا

4.2 تفاصيل الخامات الملامسة للخبز.

- منضدة إدخال: فولاذ مقاوم للصدأ 430
دفع قطع الخبز: فولاذ مقاوم للصدأ 430
مكبس خبز فولاذ مقاوم للصدأ 430
الشفرات: الصلب
منضدة إخراج: فولاذ مقاوم للصدأ 430
جهاز التكييس: فولاذ مقاوم للصدأ 430

5.1 فك تغليف الآلة:

تُبَاع الآلات، عند خروجها من ورشنا، على ألواح، ومربوطة بأشرطة ومحمية بورق الكرتون. قبل القيام بأي شيء، يجب فحص العبوة وإبلاغ شركة التوصيل مباشرة بأي تلف ناتج عن النقل.

- A. اسحب الكرتونة وكذلك كيس تغليف الآلة.
 - B. انزع الأشرطة مع الانتباه بشكل خاص ارتخاء هذه الأخيرة أثناء قطعها.
 - C. أفضل الجهاز من على الألواح بأن تنزع الشرائح الخشبية التي تعرقل حركة العجلات.
 - D. أنزل الآلة من على اللوح. أحرص على أن يقوم شخصان على الأقل بهذا الأمر من أجل تخفيف التلامس مع الأرض بشكل أفضل.
 - E. يُرجى تركيب المصد القابل للضبط لجهاز التكييس على جهاز التكييس. (fig.10, n°33)
- بعد إخراج الآلة من الكرتون، تحقق أنها لم تتعرض للتلف أثناء النقل. وأبلغنا بأي عطب.

إذا كانت الآلة مُباعة بقاعدة (اختياري):

- A. قم بتركيب العجلات الصغيرة المُباعة على القاعدة مع الحذر بتركيب العجلات الصغيرة المزودة بفرملة في الأمام.
- B. ضع الآلة على القاعدة بواسطة شخصين على الأقل.
- C. اسحب وعاء الفتات من الآلة.
- D. أدخل الكتل المطاطية المُباعة بين الآلة والقاعدة (fig.4, n°21)
- E. أدخل من داخل الآلة البراغي (fig.4, n°20) والورد المُباعة في الثقوب المخصصة لهذا الغرض في شاسية الآلة.
- F. مرر البراغي عبر الآلة والكتل المطاطية والقاعدة وشد كل العناصر بالصواميل المُباعة (fig.4, n°22)

5.2 الموضوع:

للحصول على أداء ممتاز وفعالية على المدى الطويل، اختر موضع:

جيد التهوية، بعيدًا عن أشعة الشمس المباشرة وبعيدًا عن مصادر الحرارة مع سطح قوي وخالي من الاهتزازات.

5.3 التوصيل الكهربى:

هام: توصيل الطرف الأرضي إلزامي.

يُنصح بحماية التمديدات الكهربائية بمنصهر وقاطع تيار تفاضلي.

يجب حماية التمديدات الكهربائية التي تُغذي الآلة كما هو مُبين أدناه:

- أمريكا الشمالية: حماية 15 أمبير؛

- بقية دول العالم: حماية 16 أمبير.

بالنسبة للآلات المجهزة بمُغيّر كهربائي، فيجب توصيله على غلبة التفريغ على خط مجهز بقاطع تيار تفاضلي 300 ملي أمبير.

ملحوظة: أي مشكلة ناجمة عن التوصيل بشكل آخر لن يشملها الضمان.

قبل توصيل الآلة على شبكة الكهرباء ومن أجل تجنب وقف تشغيل الموتور عند توصيله بالكهرباء، من المهم التحقق من توافق شبكة الكهرباء مع مواصفات الآلة (انظر لوحة البيانات لهذه الآلة).

يتوافق هذا الجهاز مع التعليمات الخاصة بالآلات 42/2006 و 95/2006 و 108/2004 ويحمل علامة CE التي تشهد بذلك.

يرجى الاطلاع على الصور التوضيحية المتعلقة بالأمان الموجودة على الآلة:

صورة توضيحية تُشير إلى خطر حدوث جرح. سوف تجدها في مقدمة الآلة حول منطقة وضع الخبز (fig.9, n°29).



سوف تجد الرسم التخطيطي الكهربائي للآلة على ظهر باب الصندوق الكهربائي (fig.9, n°30).

صورة توضيحية تُشير إلى خطر الصعق بالكهرباء. يُرجى فصل الكهرباء عن الآلة قبل أي إصلاح لها. سوف تجدها خلف الآلة بالقرب من كابل التغذية وداخل الآلة على الصندوق الكهربائي (fig.9, n°31).



صورة توضيحية تُشير إلى خطر التلامس مع الأجزاء الميكانيكية المتحركة. سوف تجدها على الباب الأمامي (fig.9, n°28).



5.4 التشغيل:

قبل التشغيل، تأكد من عدم وجود أي شيء دخيل على الأجزاء المتحركة للآلة.

لاستخدام الآلة، راجع فصل "الاستخدام".

5.5 خطر:

في حالة وجود خطر على المستخدم أو على الآلة، يجب عليك أن تستخدم مفتاح القطع العمومي لفصل التيار الكهربائي عن الآلة.

اسحب القابض من المقبض الكهربائي قبل القيام بأية عملية صيانة وفحص؛ لا تلمس الشفرة، حتى أثناء التوقف.

عند تغيير الشفرة، اطلب من الموزع المعتمد أن يقوم هو بالعملية.

أحرص على ارتداء قفازات حماية من الجروح أثناء استبدال الشفرة أو أثناء القيام بعملية قريبة من الشفرة.

أي عملية صيانة أو استبدال قطعة عيار يجب أن تتم بواسطة شخص مؤهل.

6.1 جهاز التحكم:

القطاعة مزودة على التوالي بزر إيقاف في حالة الطوارئ (fig.1, n°5)

- بعض الآلات مزودة بشاشة رقمية (MRC – MRM – MRL ETL – MRL – MRF – MRK – MRK ETL – MRK) (fig.6) التي تتيح:
- توصيل شاشة الآلة بالتيار الكهربائي (fig.6, n°24)
 - فصل شاشة الآلة عن التيار الكهربائي (fig.6, n°26)
 - تصفير عداد القطع بالنسبة للآلات المجهزة وذلك بالضغط معا ولمدة 5 ثوان على الزرين الموجودين (fig.6, n°25) أسفل شعار ISC
 - تصفير عداد الزيت (fig.6, n°27) (MRF – MRM)
 - برمجة مختلف عمليات ضبط الآلة (قاصرة على وكيل معتمد) (fig.6, n°25)

هذه الشاشة تبين لك:

- عدد القطع التي تمت
- إن كان يجب استبدال الشفرات
- إن كان هناك نظام أمان يعمل

6.2 منطقة عمل:

توجد منطقة العمل أمام الآلة (fig.3 n°19)

6.3 أجهزة الأمان:

إذا كانت الآلة مزودة بها، فإن غلق الغطاء العلوي يؤدي إلى تشغيل الآلة. فتح هذا الغطاء يوقف الآلة (MRZ – MRP – MRK – MRK ETL – MRF – MRP – MRQ) (fig.1, n°1).

هذه الآلة مجهزة بـ:

مفتاح أمان (fig.1, n°10) يمنع الآلة من العمل عندما يكون الغطاء الخلفي مفتوحاً (MRZ – MRP – MRK – MRK ETL – MRF – MRP – MRQ - MRR) (fig.1, n°10).

مفتاح أمان (fig.2, n°18) يمنع الآلة من العمل عندما يكون الغطاء الأمامي مفتوحاً (اختياري) (MRC – MRC ETL - MRR)

خلية كهروضوئية (fig.2, n°15) تمنع تشغيل الآلة عندما يتم قطع حزمة الضوء (اختياري) (MRL – MRL ETL – MRM).

من أجل الاستخدام، الآلة مجهزة بقاعدة (fig.1,n°8) (اختياري)، يجب قفل العجلات الصغيرة المزودة بفرملة (fig.1,n°9).

في بداية اليوم، وصل الآلة بالكهرباء باستخدام زر الإيقاف في حالة الطوارئ. (fig.1, n°5)
 بالنسبة للآلات المجهزة بشاشة رقمية (MRK – MRK ETL – MRF – MRL – MRL ETL – MRM – MRC) (fig.6)،
 اضغط على الزر الأخضر الخاص بتوصيل التيار (fig.6, n°24).

خطوات الاستخدام (fig.5)

A. ضع الخبز على المنضدة الخلفية، بين الشفرات والجزء المتحرك.

B. أغلق الغطاء الخلفي (MRZ – MRP – MRK – MRK ETL – MRF – MRP – MRQ - MRR) ، يقوم هذا الإجراء
 بتشغيل الآلة. إذا كانت الآلة مزودة بخلايا كهروضوئية (اختياري) (MRL – MRL ETL – MRM) اضغط على الزر الأخضر
 (fig.6, n°24) من أجل تشغيل عملية القطع.

C. عند انتهاء عملية القطع، خذ الخبز المقطع من أمام الآلة. يفتح الغطاء الخلفي
 (MRZ – MRP – MRK – MRK ETL – MRF – MRP – MRQ - MRR).
 إذا كانت الآلة مزودة بغطاء أمامي، افتحه قبل أخذ الخبز (اختياري) (MRC – MRC ETL - MRR).

في نهاية اليوم، بالنسبة للآلات المجهزة بشاشة رقمية
 (MRZ – MRP – MRK – MRK ETL – MRF – MRL – MRL ETL – MRM – MRC)
 لفصل التيار (fig.6, n°26). اضغط على الزر الأحمر الخاص بالإيقاف في حالة الطوارئ (fig.1 n°5) لفصل التيار عن الآلة.
 نصيحة: بعد الأيام الأولى من التشغيل، افحص شد الشفرات بواسطة شخص مؤهل.

السعة: عدد قطع الخبز المقطعة في اليوم: 6.000 (وفقاً لنوع الخبز).

مقاسات قطعة الخبز (طول × عرض × ارتفاع) (سم):

MRZ – MRP – MRK – MRK ETL – MRQ - MRL – MRL ETL - MRC – MRC ETL

حد أدنى 12 × 6 × 6 - حد أقصى 44 × 30 × 18

MRM – MRF – MRR - MRQ

حد أدنى 12 × 6 × 6 - حد أقصى 44 × 29 × 18

الأمان:

فتح غطاء الأمان الخلفي (fig.1, n°1) يمنع تشغيل الآلة

(MRZ – MRP – MRK – MRK ETL – MRF – MRZ – MRP – MRQ - MRR)

فتح غطاء الأمان الأمامي (fig.2 n°17) يمنع تشغيل الآلة (MRC-MRC ETL – MRR)

المرور أمام الخلايا الكهروضوئية (fig.2, n°15) يمنع تشغيل الآلة (MRL – MRL ETL – MRM)

يتم الإشارة إلى تشغيل نظام أمام عن طريق رسالة على الشاشة

(MRK – MRK ETL – MRF – MRL – MRL ETL – MRM – MRC) (fig.6, n°23).

8.1 يومية بواسطة مستخدم مُدرب.

- A. تحقق إذا كان يجب عليك تفريغ وعاء الفتات
 B. قم بتنظيف المناضد باستخدام فرشاة
 C. استخدم قطعة قماش جافة للتنظيف من الداخل
 D. بالنسبة للعناية الخارجية، استخدم قطعة قماش رطبة

8.2 كل 25000 مرة تقطيع للخبز و/ أو مرة واحدة على الأقل كل عام بواسطة وكيل معتمد.

اسحب القابس من مقبس الكهرباء
 تحقق من حالة شفرات القطع
 إذا لاحظت انخفاض جودة القطع، يجب القيام باستبدال شفرات القطع (الرقم المسلسل لدى شركة JAC: 610011، 6110001 من كتالوج قطع الغيار (JAC)
 إذا كان لابد من تغييرها، استبدل الشفرات وفقاً لإجراء تغيير شفرات القطع
ملحوظة: لا تشد الشفرات زيادة عن اللازم، لوجود خطر تشويه الإطارات.
 قم بالتنظيف باستخدام فرشاة واشطف داخل الآلة.
 تحقق من حالة رولمان البلي، ثم قم بتشحيمها بعد ذلك.
 قم بتشحيم مفصلات أسطوانة الباب.

تأكد من أن الوكيل المعتمد يقوم بتسجيل زيارته في دفتر الصيانة من أجل الحفاظ على ضمان الـ 5 سنوات.

تكملة الصيانة بالنسبة للموديلات المزودة بنظام تزييت

الزيت المستخدم هو: 7940019 (كما هو مذكور في كتالوج JAC "قطع الغيار")
 أو زيت طعام نباتي سائل مع مضاد للاكسدة طبيعي

كل 1000 قطعة أو كل 15 يوماً، بواسطة مُستخدم مُدرب:

أضف كمية زيت الطعام (100 إلى 150 ملم) اللازمة لتليين لباد العربية (قم بتشغيل زر تقديم العربية من أجل السماح بالوصول إلى زر التغذية بالزيت)؛

كل 25000 مرة تقطيع للخبز و/ أو مرة واحدة على الأقل كل عام بواسطة وكيل معتمد:

اسحب القابس من مقبس الكهرباء؛
 استبدال لباد الزر الانضغاطي

8.3 تغيير الشفرات.

(Fig.8)

احرص دائماً على ارتداء قفازات حماية من الجروح (معيار EN 388: 2003 مؤشر B=5) وأحذية أمان أثناء استبدال الشفرة أو أثناء عملية قريبة من الشفرة.
 تأكد أن قابس الآلة مفصولاً جيداً عن التيار الكهربائي.

بالنسبة للآلات المزودة بغطاء أمامي وخلفي (MRC – MRC ETL)، قم بفك الغطاء الأمامي وذلك بفك البراغي الأربعة التي تثبته (fig.7)

- A. قم بفك الصاح الخلفي للآلة عن طريق البراغي الأربعة
 B. قم بفك الريحين للمنضدة الخلفية و قم بتمريرها باتجاه خلف الآلة من أجل تحرير المنضدة الأمامية
 C. قم بفك جهاز التكييس باستخدام الترس الأيسر و قم بفك الترس الأيمن و فك برغي الغطاء
 D. افتح الغطاء. قم بفك البراغي الأربعة للطاولة قبل سحبها

- E. على الجزء العلوي للإطار الأمامي، قم بفك البراغي **A** التي تثبت الإطار بصفائح البولي بروبيلين (لا تقم مطلقاً بفك صفائح الضبط في الهيكل، فقد تقوم بتعديل ضبط المصنوع).
- F. قم بإزالة الإطار نحو الأمام. استبدل شفرات الإطار الخلفي (ضع ما من شأنه الحماية على شفرات الإطار الأمامي). قم بفك صواميل الزنق المربوطة على البراغي **B** (MRF – MRM – MRR – MRQ) (قم بفك البراغي **B** السداسية المجوفة التي تشد الشفرات. استبدل الشفرات مع مراقبة أن تكون موضوعة جيداً في ظفر الأذرع المتأرجحة. أعد شد الشفرات بأن تشد البراغي **B**، وتكون الشفرات التي ظلت في الإطار هي بمثابة دليل للشد. ثم شد الصواميل بعد ذلك (الألة المجهزة بخيار التزييت).

من أجل عدم تشويه الإطار وعدم المخاطرة بتفسير خطير، لا تستبدل إلا **1** إلى **3** شفرات في المرة الواحدة مع التناوب من اليسار إلى اليمين.

كرر الإجراء من النقطة هـ بالنسبة للإطار الأمامي وأعد تركيب الإطار الأمامي وكذلك عناصر الهيكل.
قم بتوصيل الآلة بالتيار الكهربائي، فتكون الآلة جاهزة.

تأكد من أن الوكيل المعتمد يقوم بتسجيل زيارته في دفتر الصيانة من أجل الحفاظ على ضمان الـ 5 سنوات.

9 قطع المستهلكات

أثناء طلب قطعة غيار، تأكد مع الوكيل المعتمد بشأن القطعة المطلوبة على أساس كتلوج قطع الغيار الذي أصدره الصانع. حدد دائماً رقم الآلة كما هو مبين على لوحة البيانات. ويقوم الوكيل بعمل الطلبات لدى شركة JAC.

9.1 قائمة بالمستهلكات

رمز الصنف	التوصيف الجدي	النموذج
7240031	A 31 BELT	ALL
5690010	SLIDE PAD, 100 MM	ALL
5740162	FRAME LINK	ALL
6110001	JAC KNIFE, 13 MM/0.5 MM	PICOMATIC 450
6110011	JAC KNIFE, 13 MM/0.5 MM + TEFLON	PICOMATIC 450M
5310026	LOAF HOLDER SPRING PLASTIC RING	PICOMATIC 450
5310030	LOAF HOLDER SPRING STAINLESS STEEL RING	PICOMATIC 450M
5690151	LOAF HOLDER PAD	ALL
6530002	PHOTOELECTRIC CELL REFLECTIVE STRIP	ALL
5690102	JAC FLAP	ALL
6120002	PUSHER FELT PAD	PICOMATIC 450M
BMJLA001 BMJLA002	JACFIX SPRING	ALL

التحقق	المشكلة
قم بتوصيل الآلة باستخدام الكابل (fig.1 n°14)	الآلة لا تدور
قم بفتح زر الإيقاف في حالة الطوارئ (fig.1 n°5)	
أغلق الغطاء	
أغلق الباب	
تحقق إذا كان يجب استبدال الشفرات (fig.7,8)	الآلة تعمل، لكن الخبز تالف أو مُقطع بطريقة غير متساوية
اترك الخبز يبرد لعدة ساعات	
ضع الخبز بالمقاسات المقبولة	
ضع خبز إلى حد ما ناشف	
إذا كانت الشفرات غير متساوية، اضبط الشفرات والإطارات	الخبز يهتز في الشفرات
إذا كانت الشفرات غير متساوية، اضبط الشفرات والإطارات	الخبز ينقطع ببطء شديد
تحقق إذا كان يجب استبدال الشفرات (fig.7,8)	
تحقق إذا كانت نوابض مكبس الخبز في مكانها (fig.10 n°32)	الخبز يتمزق
إذا كانت الشفرات غير متساوية، اضبط الشفرات والإطارات	
تحقق إذا كانت نوابض مكبس الخبز في مكانها (fig.10 n°32)	الخبز يخرج ببطء شديد أو يظل في الشفرات
تحقق إذا كانت نوابض مكبس الخبز في مكانها (fig.10 n°32)	
انزع نابض من مكبس الخبز وكرر الاختبار (fig.10, n°32)	الخبز منسحق عن خروجه من الشفرات

انتبه: قبل القيام بأية إصلاحات، يجب فصل التيار عن الآلة.

إذا استمرت المشكلة بعد ذلك، يرجى الاتصال بالفني.



11.1 بعض الآلات مزودة بشاشة (MRK – MRK ETL – MRF – MRL – MRL ETL – MRM – MRC)

التصرف	وصف المشكلة	الرسالة المعروضة على الشاشة
<p>برجاء إعادة تشغيل الآلة باستخدام زر الإيقاف في حالة الطوارئ (fig.1 n°10). إذا استمرت المشكلة بعد ذلك، يرجى الاتصال بالفني.</p>	حزمة الخلية الكهروضوئية (S5) مقطوعة	ISTOP الخلية الكهروضوئية تحقق منها
	وعاء الفتات (S7) مفتوح	توقف الدرج مفتوح أغلق الدرج
	الحساس الحراري لموتور الشفرة (F3) انطلق	توقف لسخونة الموتور انتظر !!!
	دفع قطع الخبز في الوضع الأولي (S1)	اضغط تشغيل START من أجل إعادة تموضع الآلة
	غطاء الأمان مفتوح (S6)	الغطاء مفتوح أغلق الغطاء
	إضافة الزيت ضرورية في جزء دفع الخبز	أعد ملء الخزان بزيت القطع
	استبدال السكاكين ضروري.	يتبقى 0 قطعة قبل استبدال الشفرات

إذا استمرت المشكلة بعد ذلك، يرجى الاتصال بالفني.



12 قائمة بالمكونات الموجودة في الأشكال

شكل	الرقم	الاسم
1	1	غطاء خلفي
	2	جهاز التكتيس
	3	دفع قطع الخبز
	4	الغطاء
	5	زر الإيقاف في حالة الطوارئ
	6	مكبس خبز
	7	منضدة أمامية
	8	قاعدة بعجلات صغيرة (اختياري)
	9	عجلات صغيرة بفرملة
	10	مفتاح أمان لقطع التيار في الغطاء الخلفي
	11	ترس
	12	منضدة خلفية
	13	صاح خلفي
	14	كابل الكهرباء
	15	خلايا كهروضوئية (اختياري)
2	16	شاشة رقمية (MRK – MRK ETL – MRF – MRL – MRL ETL – MRM – MRC)
	17	غطاء أمامي (اختياري)
	18	مفتاح أمان لقطع التيار في الغطاء الأمامي
3	19	منطقة عمل
4	20	براغي تجميع القاعدة ذات العجلات الصغيرة
	21	كتل مطاطية لقاعدة ذات عجلات صغيرة
	22	صامولة شد القاعدة ذات العجلات الصغيرة
6	23	شاشة رقمية
	24	توصيل الشاشة بالتيار (MRK – MRK ETL – MRF – MRL – MRL ETL – MRM – MRC)
	25	زر البرمجة (MRK – MRK ETL – MRF – MRL – MRL ETL – MRM – MRC) (مخصص للفني)
9	26	فصل التيار عن الشاشة (MRK – MRK ETL – MRF – MRL – MRL ETL – MRM – MRC)
	27	تصغير عداد قياس الزيت (MRM – MRF)
	28	صورة توضيحية "خطر ميكانيكي"
	29	صورة توضيحية "خطر حدوث جرح"
	30	رسم تخطيطي كهربائي
	31	صورة توضيحية "خطر الصعق بالكهرباء"
	32	نابض مكبس الخبز القابل للفك
10	33	مصد جهاز التكتيس قابل للضبط

fig.1

MRZ – MRP – MRF – MRK – MRK ETL – MRQ – MRP

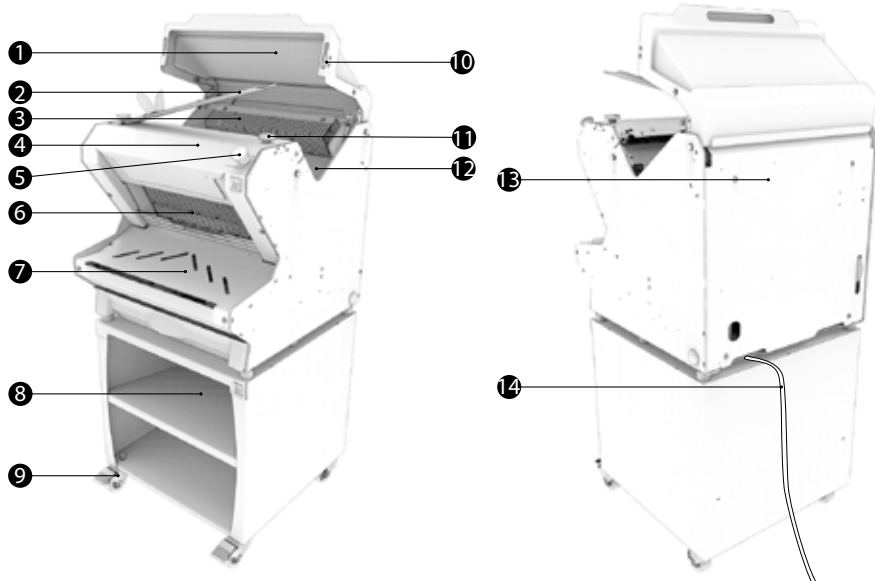
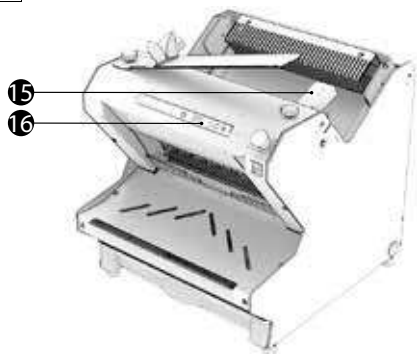


fig.2

MRL – MRL ETL – MRM



MRC – MRC ETL – MRR

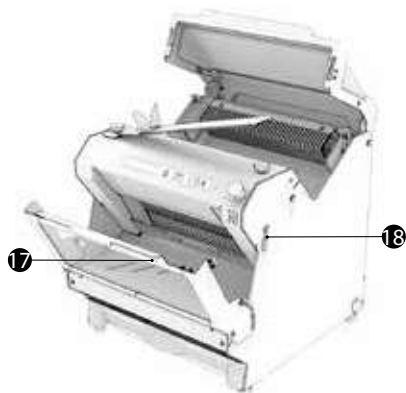


fig.3

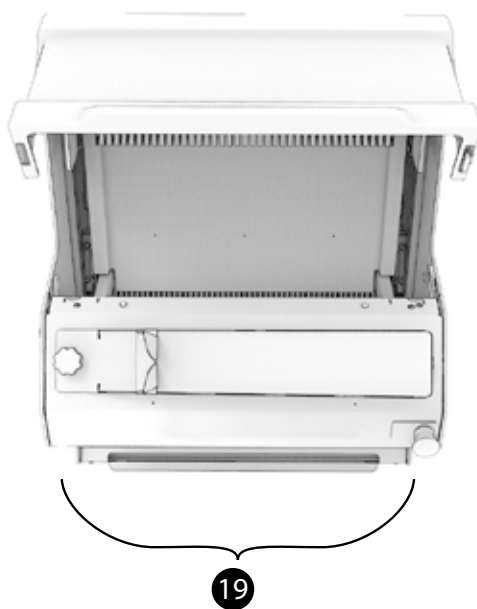


fig.4

MRZ – MRP – MRF – MRK – MRK ETL – MRM – MRQ – MRL – MRL ETL – MRC – MRC ETL – MRR

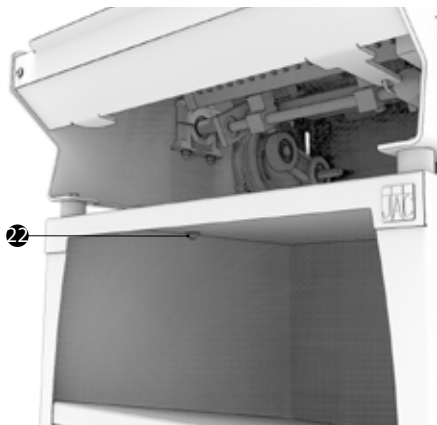
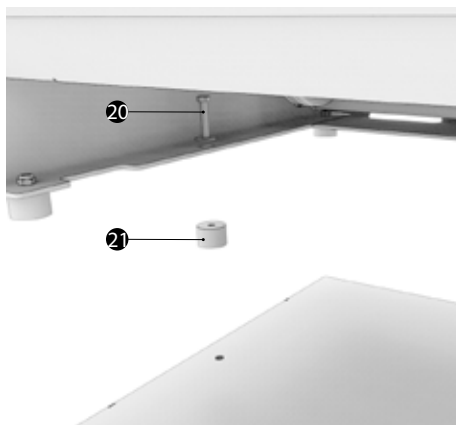
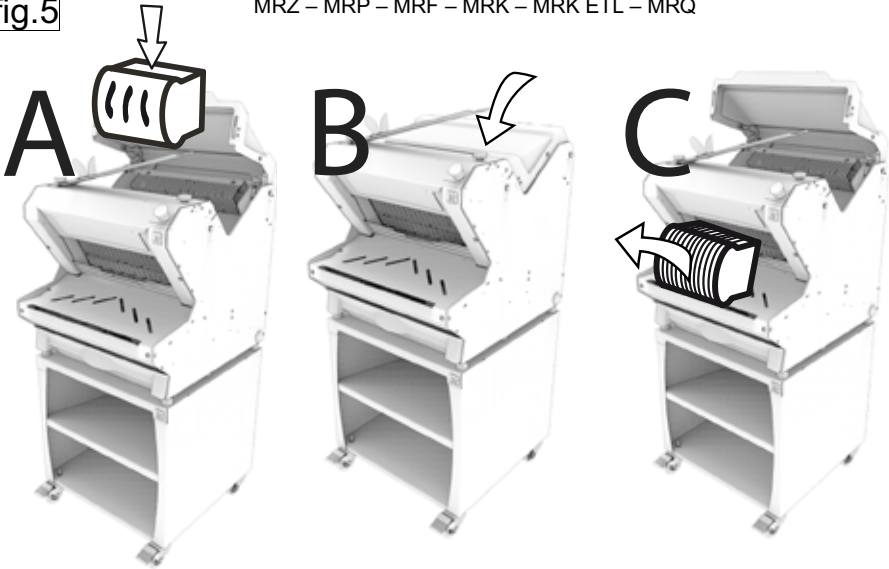


fig.5

MRZ – MRP – MRF – MRK – MRK ETL – MRQ



MRL – MRL ETL - MRM

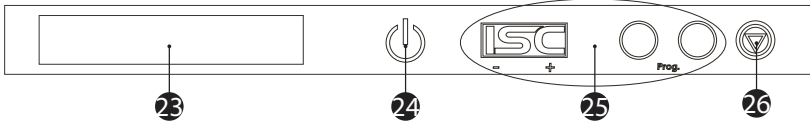
MRC – MRC ETL - MRR

JACFIX



fig.6

MRK – MRK ETL – MRF – MRL – MRL ETL – MRM – MRC – MRC ETL



MRF – MRM



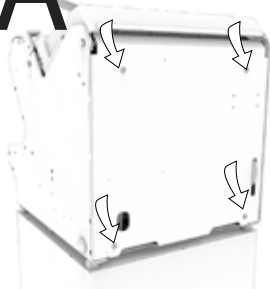
fig.7

MRC – MRC ETL

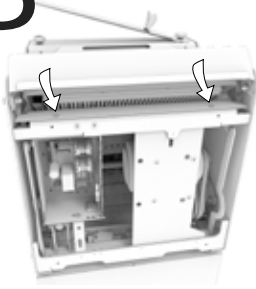


fig.8

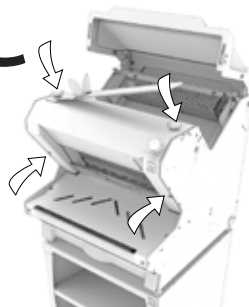
A



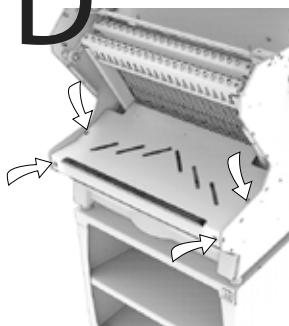
B



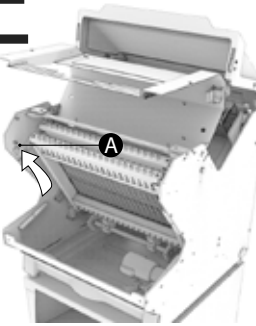
C



D



E



F

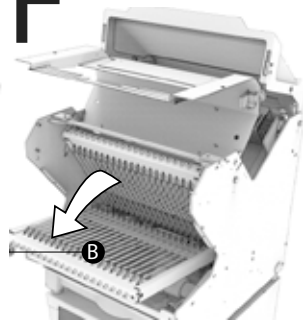


fig.9

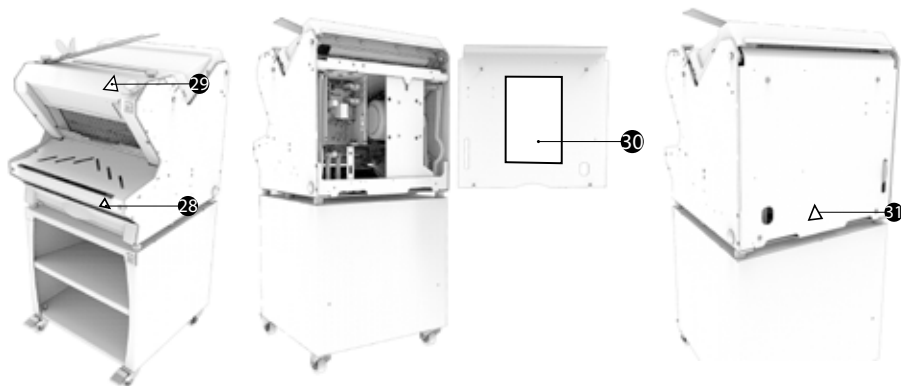
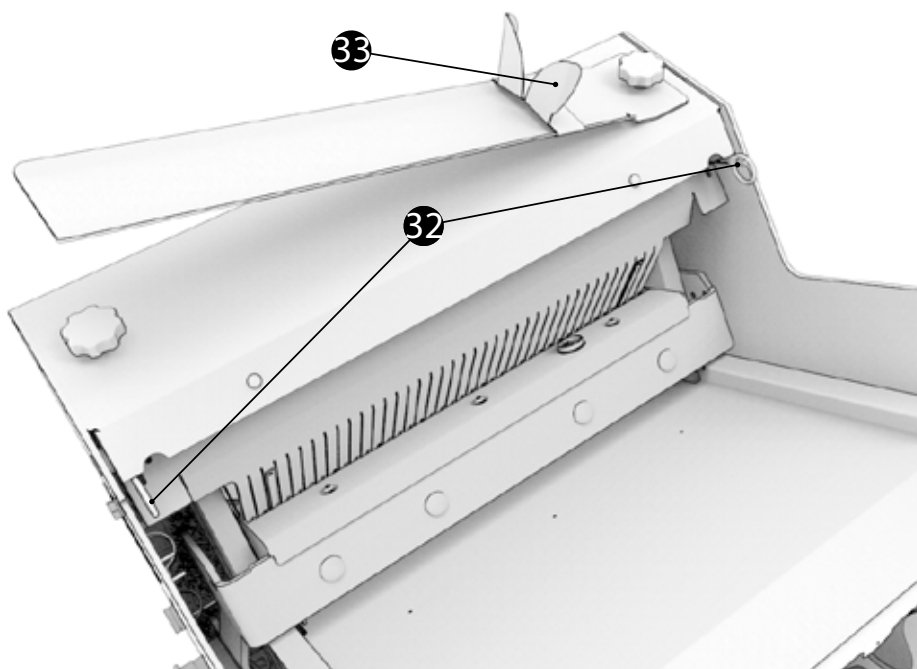


fig.10





Traditionally Innovative

CONFORMITY CERTIFICATE TO THE EUROPEAN DIRECTIVES.
CERTIFICAT DE CONFORMITE AUX DIRECTIVES EUROPEENNES.
KONFORMITÄTSZEUGNIS AN DIE EUROPÄISCHEN RICHTLINIEN.
GETUIGSCHRIFT VAN OVEREENSTEMMING MET DE EUROPESE RICHTLIJNEN.
CERTIFICATO DI CONFORMITÀ ALLE DIRETTIVE EUROPEE.
CERTIFICADO DE CONFORMIDAD CON LAS DIRECTIVAS EUROPEAS.
СЕРТИФИКАТ СООТВЕТСТВИЯ ЕВРОПЕЙСИМ ДИРЕКТИВАМ.
شهادة المطابقة مع التعليمات الأوروبية.

